

***THE PROFESSIONALS CHOICE***



***Architectural Sheet Metal  
Building Products  
2019***

[www.ravenmetal.ca](http://www.ravenmetal.ca)

1356 Ball Road, Cobble Hill, BC Toll Free in British Columbia 1-888-552-5523

South Island Call: 250-652-5523 Fax: 250-652-5169

From Cowichan Call: 250-929-1110 Fax: 250-929-1111

Serving Vancouver Island and the Lower Mainland since 1998



THE PROFESSIONALS CHOICE

# How to Use this Catalog

1. Determine which product(s) you would like to order.
2. Make a photocopy of the page which has your desired product on it.
3. Fill in all necessary details. Check the appropriate boxes next to what you would like.

Don't forget to identify ALL measurements and angles.

**Your order can not be processed without these details.**

4. If ordering multiple items, use our "Multiple Item Order Form" (found on page 7).
5. If you don't see what you would like, draw it for us on page 9 under "Customer Choice".
6. Fax the page to us at 250-652-5169 or 250-929-1111

## Other helpful items Included in this book

### Table of Contents

To find the item you want quickly

### Gauge to Decimal Chart

This conversion chart lists the decimal equivalent for 14 to 30 gauge materials.

### Color / Material Selection

A list of all the colors and types of materials that we keep in stock at all times. If you don't find what you would like on this page, ask us and we will do our best to get it for you.

### Multiple Item Order Form

If you have multiple items to order, you can use this form to make your ordering easier.

Be sure to fill out ALL details here, this is important to your order.

Material details and quantity / lineal feet desired

Item Number and Name

Chose Standard or Custom profile

Item profile

CUSTOMER ORDER FORM		
Phone: 652-5523		Fax: 652-5169
FROM: _____		
PURCHASE ORDER #: _____	ATTN: _____	
CUST. / JOB NAME: _____	ORDERED BY: _____	
ORDER DATE: _____	SENDER PHONE #: _____	
DATE REQUIRED: _____	SENDER FAX #: _____	
MATERIAL / COLOR: _____	GAUGE: _____	LINEAL FOOTAGE: _____
Item # : 1	Description: Valley Flashing	
STANDARD – 18" Valley	<input type="checkbox"/>	CUSTOM <input type="checkbox"/>
STANDARD – 24" Valley	<input type="checkbox"/>	
SAMPLE		
Notes: _____		Sold By: _____
Printed Aug 2001		

**PRODUCTS LISTED ARE AVAILABLE IN ALL MATERIALS AND COLORS  
UNLESS OTHERWISE SPECIFIED**

[www.ravenmetal.ca](http://www.ravenmetal.ca)

PAGE 2

1356 Ball Road, Cobble Hill BC  
From Victoria Call: 250-652-5523 Fax: 250-652-5169

Toll Free in BC: 1-888-552-5523  
From Duncan Call: 250-929-1110 Fax: 250-929-1111



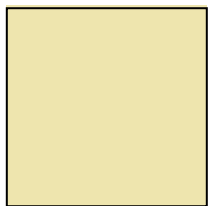
THE PROFESSIONALS CHOICE

# Gauge to Decimal Conversion

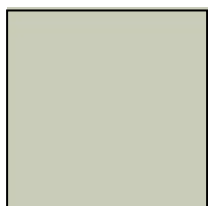
Gauge		Decimal Equivalent	Lbs. / Sq. Ft.
Thin	30	0.0157	0.656
	28	0.0187	0.781
	26	0.0217	0.906
	24	0.0276	1.156
	22	0.0336	1.406
	20	0.0396	1.656
	18	0.0516	2.156
	16	0.0635	2.656
Thick	14	0.0785	3.281

# WHITES AND COLOURS

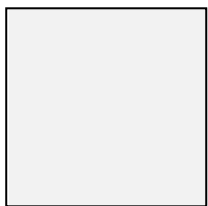
SMP - SDP - RP: Whites and Colours  
Silicon Modified Polyester - Super Durable Polyester - Regular Polyester



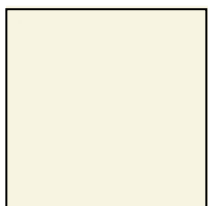
*Antique Linen*  
SRI 77



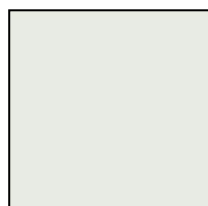
*Bone White*  
SRI 67



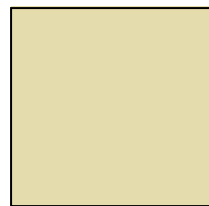
*VSM White*  
SRI 78



*Brite White*  
SRI 78



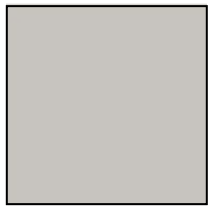
*Cambridge White*  
SRI 80



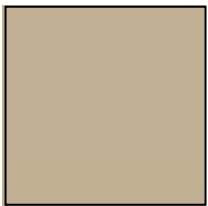
*VSM Cashmere*  
SRI 75



*White White*  
SRI 75



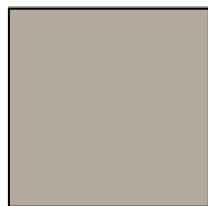
*Surf White*  
SRI 59



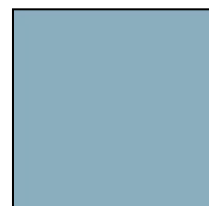
*Pebblestone*  
SRI 37



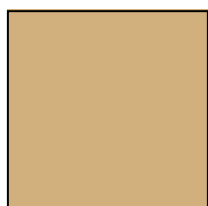
*Regent Grey*  
SRI 35



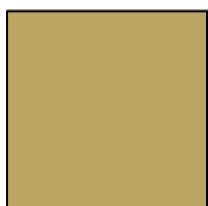
*Stone Grey*  
SRI 52



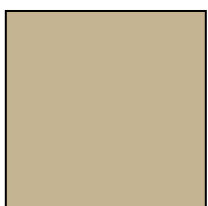
*Sapphire Blue*  
SRI 48



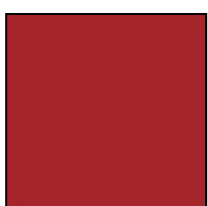
*Tan*  
SRI 45



*Briarwood Tan*  
SRI 56



*VSM Wicker*  
SRI 62



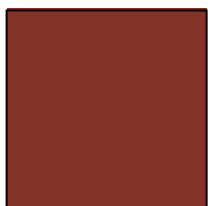
*Brite Red*  
SRI 36



*Pacific Torquoise*  
SRI 38



*Forest Green*  
SRI 37



*Tile Red*  
SRI 42

**PLEASE NOTE**

While every effort is made to try and duplicate exact colors printers are simply not capable of being truly exact. If you are unsure of the colour(s), please ask for a metal sample before ordering.

SMP - SDP - RP: Dark Colours DARK COLOURS  
Silicone Modified Polyester - Super Durable Polyester



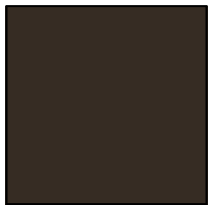
*Charcoal Grey*  
SRI 28



*Coffee Brown*  
SRI 16



*Dark Brown*  
SRI 12



*Metro Brown*  
SRI 12



*Weathered Copper*  
SRI 24



*Slate Blue*  
SRI 25



*Melchers Green*  
SRI 15



*Royal Blue*  
SRI 22



*Heron Blue*  
SRI 13

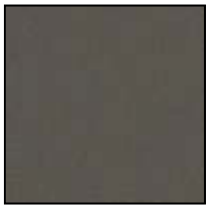


*Labrador Blue*  
SRI 13



*Dark Red*  
SRI 28

DARK COLOURS..... continued



*Weathered Zinc*  
SRI 19



*Black*  
SRI 3



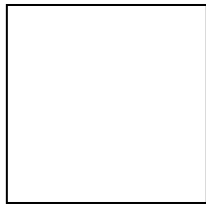
*Silver Metallic*  
SRI 59

SMP:  
Metallics Silicon Modified Polyester  
Silver Metallic exceeds current LEED® SRI requirements on steep slope roofs (over 2:12)

Protective Coating

A removable Protective Coating is available on Pre-Painted Products supplied by Varsteel Specialty Metals Metals. A 2 mil. Polyethylene Tape with Acrylic Adhesive is directly applied on our processing lines ensuring a smooth and constant application.

PVDF: Whites and Colours - 70% Fluoropolymer - Polyvinylidene Flouride (PVDF) Resin



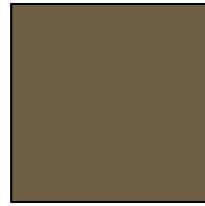
*Regal White*  
SRI 82



*Sandstone*  
SRI 63



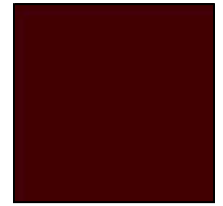
*Regal Blue*  
SRI 31



*Slate Grey*  
SRI 47



*Medium Bronze*  
SRI 31



*Colonial Red*  
SRI 34

These colours (above and beside) meet or exceed current LEED SRI requirements on steep slope roofs (over 2:12).

**PLEASE NOTE**

While every effort is made to try and duplicate exact colors printers are simply not capable of being truly exact. If you are unsure of the colour(s), please ask for a metal sample before ordering.



*Charcoal Grey*  
SRI 32

PVDF: Dark Colours - 70% Fluoropolymer - Polyvinylidene Flouride (PVDF) Resin



*Dark Bronze*  
SRI 24

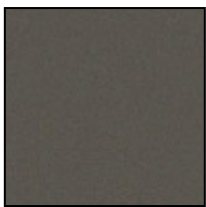


*Hartford Green*  
SRI 23



*Matte Black*  
SRI 24

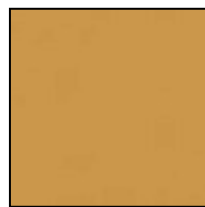
PVDF: Metallics - 70% Fluoropolymer - Polyvinylidene Flouride (PVDF) Resin



*Weathered Zinc*  
SRI 33



*Silver Metallic*  
SRI 68



*Copper Penny*  
SRI 43





*THE PROFESSIONALS CHOICE*

# Standard and Custom Flashing

# Multiple item order form

From Victoria Phone: 250-652-5523  
 From Duncan Phone: 250-929-1110

From Victoria Fax: 250-652-5169  
 From Duncan Fax: 250-929-1111

<b>FROM:</b> _____	<b>Email:</b> _____
<b>PURCHASE ORDER #:</b> _____	<b>ATTN:</b> _____
<b>CUST. / JOB NAME:</b> _____	<b>ORDERED BY:</b> _____
<b>ORDER DATE:</b> _____	<b>SENDER PHONE #:</b> _____
<b>DATE REQUIRED:</b> _____	<b>SENDER FAX #:</b> _____

<u>ITEM #</u>	<u>DESCRIPTION</u>	<u>MATERIAL / COLOR</u>	<u>GAUGE</u>	<u>QUANTITY / LINEAR FOOTAGE</u>

Special Instructions	DELIVER _____ PICKUP _____ INSTALL _____
----------------------	--





From Victoria Phone: 250-652-5523 From Victoria Fax: 250-652-5169  
 From Duncan Phone: 250-929-1110 From Duncan Fax: 250-929-1111

## VALLEY FLASHING 1

FROM: _____		Email: _____	
PURCHASE ORDER #: _____		ATTN: _____	
CUST. / JOB NAME: _____		ORDERED BY: _____	
ORDER DATE: _____		SENDER PHONE #: _____	
DATE REQUIRED: _____		SENDER FAX #: _____	

MATERIAL / COLOR: _____	GAUGE: _____	LINEAR FOOTAGE: _____
-------------------------	--------------	-----------------------

Item # : <b>1</b>	Description: <b>Valley Flashing</b>
-------------------	-------------------------------------

STANDARD – 18” Valley <input type="checkbox"/> STANDARD – 24” Valley <input type="checkbox"/>	CUSTOM <input type="checkbox"/>

Special Instructions	DELIVER _____ PICKUP _____ INSTALL _____
----------------------	--



The Professionals Choice

From Victoria Phone: 250-652-5523 From Victoria Fax: 250-652-5169  
 From Duncan Phone: 250-929-1110 From Duncan Fax: 250-929-1111

# W-VALLEY FLASHING

FROM: _____		Email: _____	
PURCHASE ORDER #: _____		ATTN: _____	
CUST. / JOB NAME: _____		ORDERED BY: _____	
ORDER DATE: _____		SENDER PHONE #: _____	
DATE REQUIRED: _____		SENDER FAX #: _____	

MATERIAL / COLOR: _____	GAUGE: _____	LINEAR FOOTAGE: _____
-------------------------	--------------	-----------------------

Item # : 2	Description: W-Valley Flashing
------------	--------------------------------

STANDARD – 18” W-Valley <input type="checkbox"/> STANDARD – 24” W-Valley <input type="checkbox"/>	CUSTOM <input type="checkbox"/>

Special Instructions	DELIVER _____ PICKUP _____ INSTALL _____
----------------------	--



The Professionals Choice

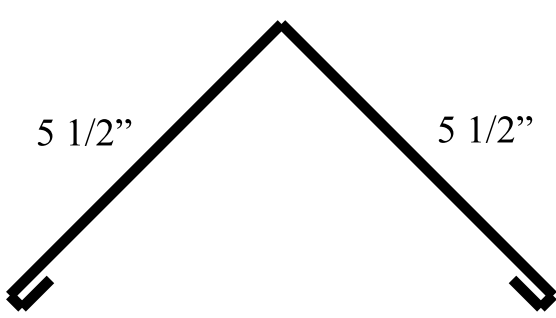
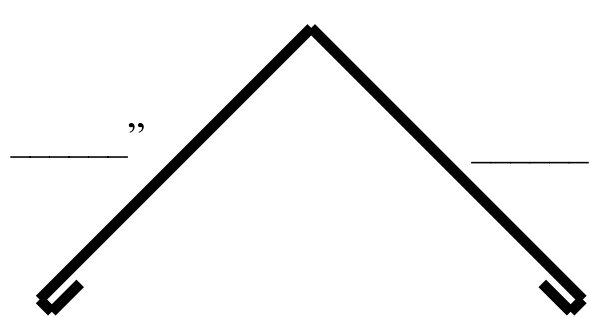
From Victoria Phone: 250-652-5523 From Victoria Fax: 250-652-5169  
 From Duncan Phone: 250-929-1110 From Duncan Fax: 250-929-1111

# RIDGE CAP STYLE 1

FROM: _____		Email: _____	
PURCHASE ORDER #: _____		ATTN: _____	
CUST. / JOB NAME: _____		ORDERED BY: _____	
ORDER DATE: _____		SENDER PHONE #: _____	
DATE REQUIRED: _____		SENDER FAX #: _____	

MATERIAL / COLOR: _____	GAUGE: _____	LINEAR FOOTAGE: _____
-------------------------	--------------	-----------------------

Item # : 3	Description: Ridge Cap #1
------------	---------------------------

STANDARD <input type="checkbox"/>  	CUSTOM <input type="checkbox"/>  
<div style="border: 1px solid black; padding: 5px; width: fit-content; margin: 0 auto;">Please indicate roof slope.</div>	

Special Instructions	DELIVER _____ PICKUP _____ INSTALL _____
----------------------	--



The Professionals Choice

From Victoria Phone: 250-652-5523 From Victoria Fax: 250-652-5169  
 From Duncan Phone: 250-929-1110 From Duncan Fax: 250-929-1111

## RIDGE CAP STYLE 2

<b>FROM:</b> _____		<b>Email:</b> _____	
<b>PURCHASE ORDER #:</b> _____		<b>ATTN:</b> _____	
<b>CUST. / JOB NAME:</b> _____		<b>ORDERED BY:</b> _____	
<b>ORDER DATE:</b> _____		<b>SENDER PHONE #:</b> _____	
<b>DATE REQUIRED:</b> _____		<b>SENDER FAX #:</b> _____	

<b>MATERIAL / COLOR:</b> _____	<b>GAUGE:</b> _____	<b>LINEAR FOOTAGE:</b> _____
--------------------------------	---------------------	------------------------------

<b>Item # : 4</b>	<b>Description: Ridge Cap #2</b>
<b>STANDARD</b> <input type="checkbox"/>	<b>CUSTOM</b> <input type="checkbox"/>
<div style="border: 1px solid black; padding: 5px; width: fit-content; margin: 0 auto;">Please indicate roof slope.</div>	
<b>Special Instructions</b>	
<b>DELIVER</b> ____ <b>PICKUP</b> ____ <b>INSTALL</b> ____	



From Victoria Phone: 250-652-5523 From Victoria Fax: 250-652-5169  
 From Duncan Phone: 250-929-1110 From Duncan Fax: 250-929-1111

### RIDGE CAP STYLE 3

FROM: _____		Email: _____	
PURCHASE ORDER #: _____		ATTN: _____	
CUST. / JOB NAME: _____		ORDERED BY: _____	
ORDER DATE: _____		SENDER PHONE #: _____	
DATE REQUIRED: _____		SENDER FAX #: _____	

MATERIAL / COLOR: _____	GAUGE: _____	LINEAR FOOTAGE: _____
-------------------------	--------------	-----------------------

Item # : <b>5</b>	Description: <b>Ridge Cap #3</b>
STANDARD <input type="checkbox"/>  	CUSTOM <input type="checkbox"/>  
<div style="border: 1px solid black; padding: 5px; width: fit-content; margin: 0 auto;">Please indicate roof slope.</div>	
Special Instructions _____ DELIVER _____ PICKUP _____ INSTALL _____	



The Professionals Choice

From Victoria Phone: 250-652-5523 From Victoria Fax: 250-652-5169  
 From Duncan Phone: 250-929-1110 From Duncan Fax: 250-929-1111

# EAVE STARTER

FROM: _____		Email: _____	
PURCHASE ORDER #: _____		ATTN: _____	
CUST. / JOB NAME: _____		ORDERED BY: _____	
ORDER DATE: _____		SENDER PHONE #: _____	
DATE REQUIRED: _____		SENDER FAX #: _____	

MATERIAL / COLOR: _____	GAUGE: _____	LINEAR FOOTAGE: _____
-------------------------	--------------	-----------------------

Item # : <b>61</b>	Description: <b>Eave Starter</b>
--------------------	----------------------------------

STANDARD

CUSTOM

Special Instructions	DELIVER _____ PICKUP _____ INSTALL _____
----------------------	--



The Professionals Choice

From Victoria Phone: 250-652-5523 From Victoria Fax: 250-652-5169  
 From Duncan Phone: 250-929-1110 From Duncan Fax: 250-929-1111

# STEP FLASHING

<b>FROM:</b> _____		<b>Email:</b> _____	
<b>PURCHASE ORDER #:</b> _____		<b>ATTN:</b> _____	
<b>CUST. / JOB NAME:</b> _____		<b>ORDERED BY:</b> _____	
<b>ORDER DATE:</b> _____		<b>SENDER PHONE #:</b> _____	
<b>DATE REQUIRED:</b> _____		<b>SENDER FAX #:</b> _____	

<b>MATERIAL / COLOR:</b> _____	<b>GAUGE:</b> _____	<b>QUANTITY:</b> _____
--------------------------------	---------------------	------------------------

<b>Item # : 18</b>	<b>Description: Step Flashing</b>
--------------------	-----------------------------------

<p>Standard sizes come in 30 gauge only :</p> <table style="width:100%;"> <tr> <td style="width:25%;">C = 8 1/2"</td> <td style="width:10%;"><input type="checkbox"/></td> <td style="width:25%;">Brown</td> <td style="width:10%;"><input type="checkbox"/></td> </tr> <tr> <td>C = 10 1/2"</td> <td><input type="checkbox"/></td> <td>Black</td> <td><input type="checkbox"/></td> </tr> <tr> <td>C = 13"</td> <td><input type="checkbox"/></td> <td>White</td> <td><input type="checkbox"/></td> </tr> </table> 	C = 8 1/2"	<input type="checkbox"/>	Brown	<input type="checkbox"/>	C = 10 1/2"	<input type="checkbox"/>	Black	<input type="checkbox"/>	C = 13"	<input type="checkbox"/>	White	<input type="checkbox"/>	<p>CUSTOM <input type="checkbox"/></p> <p>Indicate material / color and gauge above.</p> 
C = 8 1/2"	<input type="checkbox"/>	Brown	<input type="checkbox"/>										
C = 10 1/2"	<input type="checkbox"/>	Black	<input type="checkbox"/>										
C = 13"	<input type="checkbox"/>	White	<input type="checkbox"/>										

Special Instructions	DELIVER _____ PICKUP _____ INSTALL _____
----------------------	--



The Professionals Choice

From Victoria Phone: 250-652-5523 From Victoria Fax: 250-652-5169  
 From Duncan Phone: 250-929-1110 From Duncan Fax: 250-929-1111

## BACK PAN FLASHING

FROM: _____		Email: _____	
PURCHASE ORDER #: _____		ATTN: _____	
CUST. / JOB NAME: _____		ORDERED BY: _____	
ORDER DATE: _____		SENDER PHONE #: _____	
DATE REQUIRED: _____		SENDER FAX #: _____	

MATERIAL / COLOR: _____	GAUGE: _____	LINEAR FOOTAGE: _____
-------------------------	--------------	-----------------------

Item # : <b>15</b>	Description: <b>Back Pan Flashing</b>
--------------------	---------------------------------------

STANDARD <input type="checkbox"/>  <p>6" vertical side, 12" horizontal base.</p>	CUSTOM <input type="checkbox"/>  <p>_____ " vertical side, _____ " horizontal base.</p>
--	---

Special Instructions	DELIVER _____ PICKUP _____ INSTALL _____
----------------------	--





The Professionals Choice

From Victoria Phone: 250-652-5523 From Victoria Fax: 250-652-5169  
 From Duncan Phone: 250-929-1110 From Duncan Fax: 250-929-1111

# FRONT APRON

<b>FROM:</b> _____		<b>Email:</b> _____	
<b>PURCHASE ORDER #:</b> _____		<b>ATTN:</b> _____	
<b>CUST. / JOB NAME:</b> _____		<b>ORDERED BY:</b> _____	
<b>ORDER DATE:</b> _____		<b>SENDER PHONE #:</b> _____	
<b>DATE REQUIRED:</b> _____		<b>SENDER FAX #:</b> _____	

<i>MATERIAL / COLOR:</i> _____	<i>GAUGE:</i> _____	<i>LINEAR FOOTAGE:</i> _____
--------------------------------	---------------------	------------------------------

<b>Item # : 16</b>	<b>Description: Front Apron</b>
--------------------	---------------------------------

<p>STANDARD <input type="checkbox"/></p>	<p>CUSTOM <input type="checkbox"/></p>
--	--

<p>Special Instructions</p>	<p>DELIVER _____ PICKUP _____ INSTALL _____</p>
-----------------------------	---



The Professionals Choice

From Victoria Phone: 250-652-5523 From Victoria Fax: 250-652-5169  
 From Duncan Phone: 250-929-1110 From Duncan Fax: 250-929-1111

# COUNTER FLASHING

FROM: _____		Email: _____	
PURCHASE ORDER #: _____		ATTN: _____	
CUST. / JOB NAME: _____		ORDERED BY: _____	
ORDER DATE: _____		SENDER PHONE #: _____	
DATE REQUIRED: _____		SENDER FAX #: _____	

MATERIAL / COLOR: _____	GAUGE: _____	LINEAR FOOTAGE: _____
-------------------------	--------------	-----------------------

Item #: <b>17</b>	Description: <b>Counter Flashing</b>
-------------------	--------------------------------------

STANDARD <input type="checkbox"/>	CUSTOM <input type="checkbox"/>
<p>1" 6"</p>	<p>____" ____"</p>

Special Instructions	DELIVER _____ PICKUP _____ INSTALL _____
----------------------	--



The Professionals Choice

From Victoria Phone: 250-652-5523 From Victoria Fax: 250-652-5169  
 From Duncan Phone: 250-929-1110 From Duncan Fax: 250-929-1111

# INSIDE CORNER

FROM: _____	Email: _____
-------------	--------------

PURCHASE ORDER #: _____	ATTN: _____
-------------------------	-------------

CUST. / JOB NAME: _____	ORDERED BY: _____
-------------------------	-------------------

ORDER DATE: _____	SENDER PHONE #: _____
-------------------	-----------------------

DATE REQUIRED: _____	SENDER FAX #: _____
----------------------	---------------------

MATERIAL / COLOR: _____	GAUGE: _____	LINEAR FOOTAGE: _____
-------------------------	--------------	-----------------------

Item # : <b>6</b>	Description: <b>Inside Corner</b>
-------------------	-----------------------------------

STANDARD <input type="checkbox"/>  	CUSTOM <input type="checkbox"/>  
---	---

Special Instructions	DELIVER _____ PICKUP _____ INSTALL _____
----------------------	--



The Professionals Choice

From Victoria Phone: 250-652-5523 From Victoria Fax: 250-652-5169  
 From Duncan Phone: 250-929-1110 From Duncan Fax: 250-929-1111

# OUTSIDE CORNER

FROM: _____		Email: _____	
PURCHASE ORDER #: _____		ATTN: _____	
CUST. / JOB NAME: _____		ORDERED BY: _____	
ORDER DATE: _____		SENDER PHONE #: _____	
DATE REQUIRED: _____		SENDER FAX #: _____	

MATERIAL / COLOR: _____	GAUGE: _____	LINEAR FOOTAGE: _____
-------------------------	--------------	-----------------------

Item #: <b>7</b>	Description: <b>Outside Corner</b>
------------------	------------------------------------

STANDARD <input type="checkbox"/>  	CUSTOM <input type="checkbox"/>  
---	---

Special Instructions	DELIVER _____ PICKUP _____ INSTALL _____
----------------------	--



The Professionals Choice

From Victoria Phone: 250-652-5523 From Victoria Fax: 250-652-5169  
From Duncan Phone: 250-929-1110 From Duncan Fax: 250-929-1111

# Z-BAR

<b>FROM:</b> _____		<b>Email:</b> _____	
<b>PURCHASE ORDER #:</b> _____		<b>ATTN:</b> _____	
<b>CUST. / JOB NAME:</b> _____		<b>ORDERED BY:</b> _____	
<b>ORDER DATE:</b> _____		<b>SENDER PHONE #:</b> _____	
<b>DATE REQUIRED:</b> _____		<b>SENDER FAX #:</b> _____	

<b>MATERIAL / COLOR:</b> _____	<b>GAUGE:</b> _____	<b>LINEAR FOOTAGE:</b> _____
--------------------------------	---------------------	------------------------------

<b>Item # :</b> 9	<b>Description:</b> Z-Bar
-------------------	---------------------------

<b>STANDARD</b> <input type="checkbox"/>  	<b>CUSTOM</b> <input type="checkbox"/>  
--	--

<b>Special Instructions</b>	<b>DELIVER</b> _____ <b>PICKUP</b> _____ <b>INSTALL</b> _____
-----------------------------	---



The Professionals Choice

From Victoria Phone: 250-652-5523 From Victoria Fax: 250-652-5169  
 From Duncan Phone: 250-929-1110 From Duncan Fax: 250-929-1111

# J-MOULD

<b>FROM:</b> _____		<b>Email:</b> _____
<b>PURCHASE ORDER #:</b> _____	<b>ATTN:</b> _____	
<b>CUST. / JOB NAME:</b> _____	<b>ORDERED BY:</b> _____	
<b>ORDER DATE:</b> _____	<b>SENDER PHONE #:</b> _____	
<b>DATE REQUIRED:</b> _____	<b>SENDER FAX #:</b> _____	

<b>MATERIAL / COLOR:</b> _____	<b>GAUGE:</b> _____	<b>LINEAR FOOTAGE:</b> _____
--------------------------------	---------------------	------------------------------

<b>Item # : 8</b>	<b>Description: J-Mould</b>
-------------------	-----------------------------

<p>STANDARD <input type="checkbox"/></p>	<p>CUSTOM <input type="checkbox"/></p>
--	--

<p>Special Instructions</p>	<p>DELIVER _____ PICKUP _____ INSTALL _____</p>
-----------------------------	---



The Professionals Choice

From Victoria Phone: 250-652-5523 From Victoria Fax: 250-652-5169  
 From Duncan Phone: 250-929-1110 From Duncan Fax: 250-929-1111

## PERFORATED ALUMINUM BUG SCREEN

<b>FROM:</b> _____		<b>Email:</b> _____	
<b>PURCHASE ORDER #:</b> _____		<b>ATTN:</b> _____	
<b>CUST. / JOB NAME:</b> _____		<b>ORDERED BY:</b> _____	
<b>ORDER DATE:</b> _____		<b>SENDER PHONE #:</b> _____	
<b>DATE REQUIRED:</b> _____		<b>SENDER FAX #:</b> _____	

<b>MATERIAL / COLOR:</b> _____	<b>GAUGE:</b> _____	<b>LINEAR FOOTAGE:</b> _____
--------------------------------	---------------------	------------------------------

<b>Item # : 10</b>	<b>Perforated Aluminum Bug screen</b>
--------------------	---------------------------------------

<p>STANDARD <input type="checkbox"/></p>	<p>CUSTOM <input type="checkbox"/></p>
--	--

Special Instructions	DELIVER _____ PICKUP _____ INSTALL _____
----------------------	--



The Professionals Choice

From Victoria Phone: 250-652-5523 From Victoria Fax: 250-652-5169  
 From Duncan Phone: 250-929-1110 From Duncan Fax: 250-929-1111

# ANGLE FLASHING

<b>FROM:</b> _____		<b>Email:</b> _____	
<b>PURCHASE ORDER #:</b>		<b>ATTN:</b>	
<b>CUST. / JOB NAME:</b>		<b>ORDERED BY:</b>	
<b>ORDER DATE:</b>		<b>SENDER PHONE #:</b>	
<b>DATE REQUIRED:</b> _____		<b>SENDER FAX #:</b>	

<i>MATERIAL / COLOR:</i> _____	<i>GAUGE:</i> _____	<i>LINEAR FOOTAGE:</i> _____
--------------------------------	---------------------	------------------------------

Item # : <b>11</b>	Description: <b>Angle Flashing</b>
STANDARD <input type="checkbox"/>  	CUSTOM <input type="checkbox"/>  
Special Instructions _____ DELIVER _____ PICKUP _____ INSTALL _____	





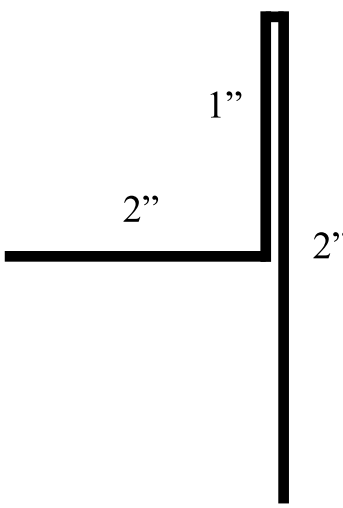
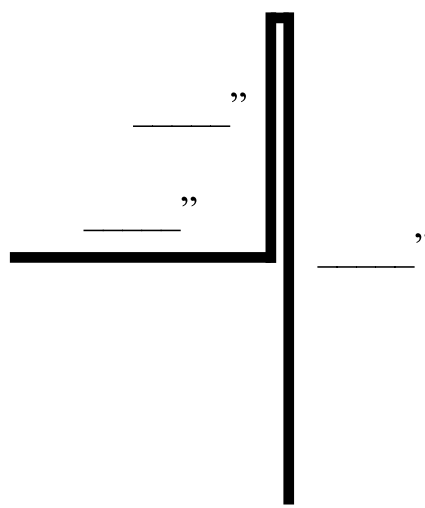
From Victoria Phone: 250-652-5523 From Victoria Fax: 250-652-5169  
 From Duncan Phone: 250-929-1110 From Duncan Fax: 250-929-1111

## T-FLASHING STANDARD

<b>FROM:</b> _____	<b>Email:</b> _____
<b>PURCHASE ORDER #:</b> _____	<b>ATTN:</b> _____
<b>CUST. / JOB NAME:</b> _____	<b>ORDERED BY:</b> _____
<b>ORDER DATE:</b> _____	<b>SENDER PHONE #:</b> _____
<b>DATE REQUIRED:</b> _____	<b>SENDER FAX #:</b> _____

<i>MATERIAL / COLOR:</i> _____	<i>GAUGE:</i> _____	<i>LINEAR FOOTAGE:</i> _____
--------------------------------	---------------------	------------------------------

<b>Item # : 12</b>	<b>Description: T-Flashing Standard</b>
--------------------	---

<p>STANDARD <input type="checkbox"/></p> 	<p>CUSTOM <input type="checkbox"/></p> 
--	---

Special Instructions	DELIVER _____ PICKUP _____ INSTALL _____
----------------------	--



The Professionals Choice

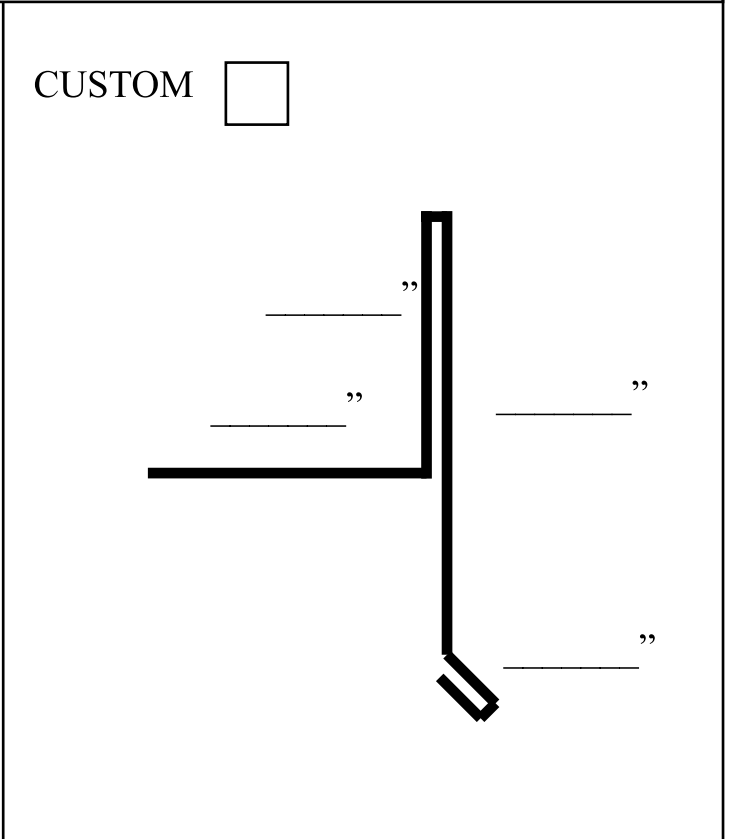
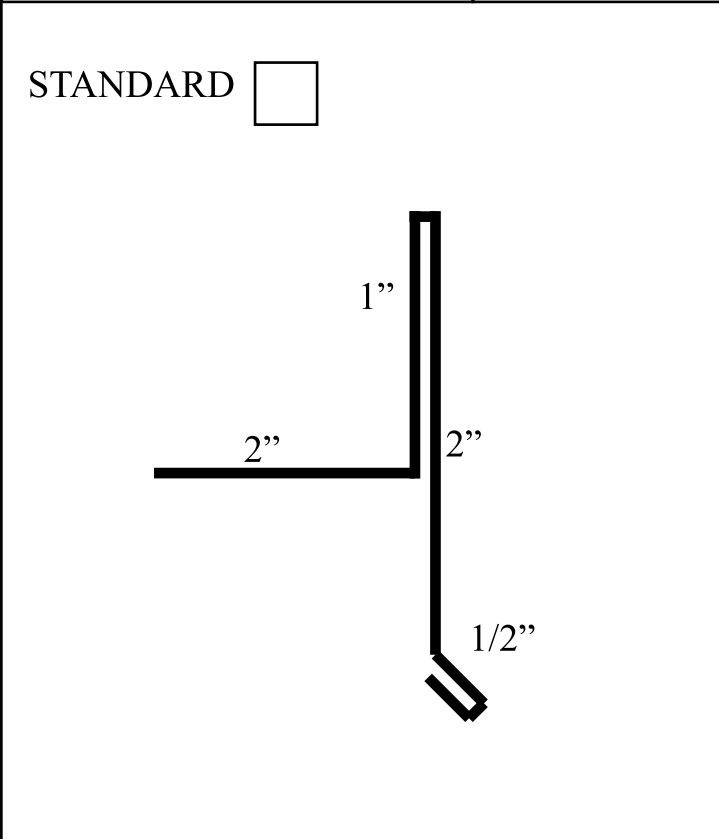
From Victoria Phone: 250-652-5523 From Victoria Fax: 250-652-5169  
 From Duncan Phone: 250-929-1110 From Duncan Fax: 250-929-1111

## T-FLASHING HEMMED

<b>FROM:</b> _____		<b>Email:</b> _____
<b>PURCHASE ORDER #:</b> _____		<b>ATTN:</b> _____
<b>CUST. / JOB NAME:</b> _____		<b>ORDERED BY:</b> _____
<b>ORDER DATE:</b> _____		<b>SENDER PHONE #:</b> _____
<b>DATE REQUIRED:</b> _____		<b>SENDER FAX #:</b> _____

<b>MATERIAL / COLOR:</b> _____	<b>GAUGE:</b> _____	<b>LINEAR FOOTAGE:</b> _____
--------------------------------	---------------------	------------------------------

<b>Item # : 13</b>	<b>Description: T-Flashing Hemmed</b>
--------------------	---------------------------------------



Special Instructions	DELIVER _____ PICKUP _____ INSTALL _____
----------------------	--



The Professionals Choice

From Victoria Phone: 250-652-5523 From Victoria Fax: 250-652-5169  
 From Duncan Phone: 250-929-1110 From Duncan Fax: 250-929-1111

## DECK EDGE

FROM: _____		Email: _____	
PURCHASE ORDER #: _____		ATTN: _____	
CUST. / JOB NAME: _____		ORDERED BY: _____	
ORDER DATE: _____		SENDER PHONE #: _____	
DATE REQUIRED: _____		SENDER FAX #: _____	

MATERIAL / COLOR: _____	GAUGE: _____	LINEAR FOOTAGE: _____
-------------------------	--------------	-----------------------

Item # : <b>14</b>	Description: <b>Deck Edge</b>
--------------------	-------------------------------

STANDARD <input type="checkbox"/>  	CUSTOM <input type="checkbox"/>  
---	---

Special Instructions	DELIVER _____ PICKUP _____ INSTALL _____
----------------------	--



The Professionals Choice

From Victoria Phone: 250-652-5523 From Victoria Fax: 250-652-5169  
 From Duncan Phone: 250-929-1110 From Duncan Fax: 250-929-1111

# CAP FLASHING

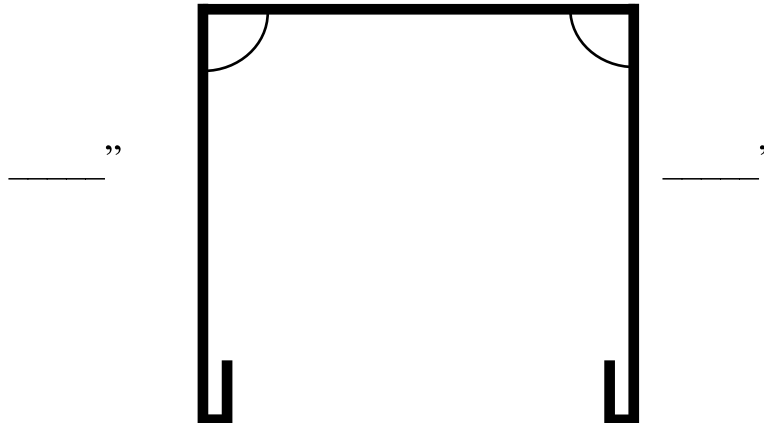
<b>FROM:</b> _____		<b>Email:</b> _____
<b>PURCHASE ORDER #:</b> _____	<b>ATTN:</b> _____	
<b>CUST. / JOB NAME:</b> _____	<b>ORDERED BY:</b> _____	
<b>ORDER DATE:</b> _____	<b>SENDER PHONE #:</b> _____	
<b>DATE REQUIRED:</b> _____	<b>SENDER FAX #:</b> _____	

<b>MATERIAL / COLOR:</b> _____	<b>GAUGE:</b> _____	<b>LINEAR FOOTAGE:</b> _____
--------------------------------	---------------------	------------------------------

<b>Item # : 19</b>	<b>Description: Cap Flashing</b>
--------------------	----------------------------------

CUSTOM SIZES ONLY

\_\_\_\_\_ ° Angle      \_\_\_\_\_ "      \_\_\_\_\_ ° Angle



For Corners, S-Locks, Hook strip etc. see accessories section of this catalog.

Special Instructions	DELIVER _____ PICKUP _____ INSTALL _____
----------------------	--



The Professionals Choice

From Victoria Phone: 250-652-5523 From Victoria Fax: 250-652-5169  
 From Duncan Phone: 250-929-1110 From Duncan Fax: 250-929-1111

# HALF DRIP CAP FLASHING

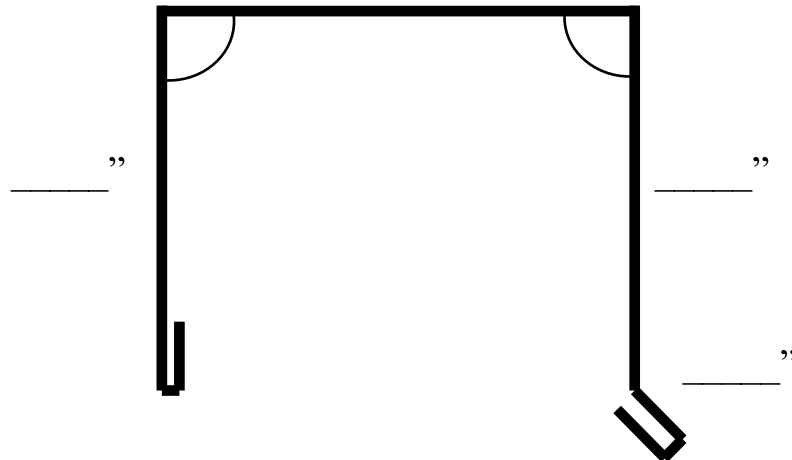
<b>FROM:</b> _____		<b>Email:</b> _____	
<b>PURCHASE ORDER #:</b> _____		<b>ATTN:</b> _____	
<b>CUST. / JOB NAME:</b> _____		<b>ORDERED BY:</b> _____	
<b>ORDER DATE:</b> _____		<b>SENDER PHONE #:</b> _____	
<b>DATE REQUIRED:</b> _____		<b>SENDER FAX #:</b> _____	

<i>MATERIAL / COLOR:</i> _____	<i>GAUGE:</i> _____	<i>LINEAR FOOTAGE:</i> _____
--------------------------------	---------------------	------------------------------

Item # : <b>21</b>	Half Drip Cap Flashing
--------------------	------------------------

CUSTOM SIZES ONLY

\_\_\_\_\_ ° Angle                      \_\_\_\_\_"                      \_\_\_\_\_ ° Angle



For Corners, S-Locks, Hook strip etc. see accessories section of this catalog.

Special Instructions	DELIVER _____ PICKUP _____ INSTALL _____
----------------------	--



The Professionals Choice

From Victoria Phone: 250-652-5523 From Victoria Fax: 250-652-5169  
 From Duncan Phone: 250-929-1110 From Duncan Fax: 250-929-1111

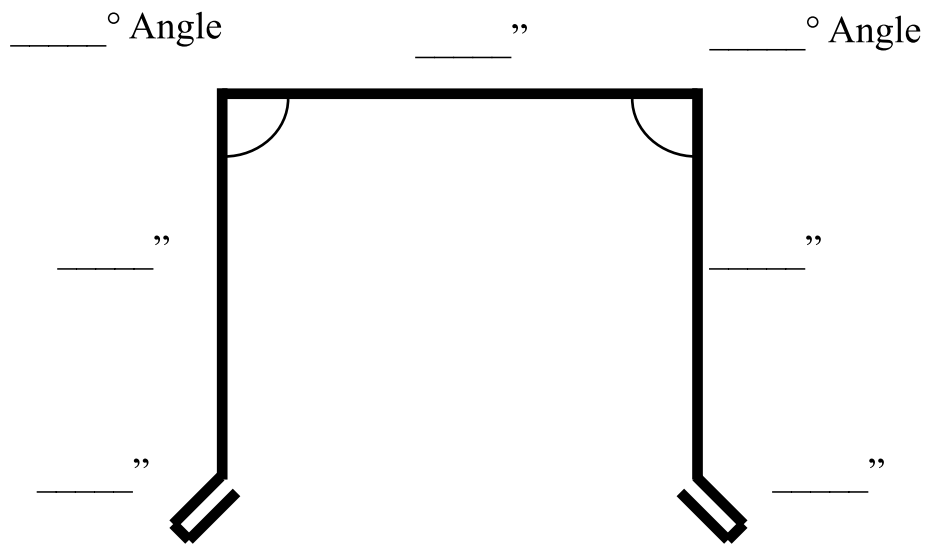
## DRIP CAP FLASHING

FROM: _____		Email: _____	
PURCHASE ORDER #: _____		ATTN: _____	
CUST. / JOB NAME: _____		ORDERED BY: _____	
ORDER DATE: _____		SENDER PHONE #: _____	
DATE REQUIRED: _____		SENDER FAX #: _____	

MATERIAL / COLOR: _____	GAUGE: _____	LINEAR FOOTAGE: _____
-------------------------	--------------	-----------------------

Item # : 20	Drip Cap Flashing
-------------	-------------------

CUSTOM SIZES ONLY



For Corners, S-Locks, Hook strip etc. see accessories section of this catalog.

Special Instructions	DELIVER _____ PICKUP _____ INSTALL _____
----------------------	--



The Professionals Choice

From Victoria Phone: 250-652-5523 From Victoria Fax: 250-652-5169  
 From Duncan Phone: 250-929-1110 From Duncan Fax: 250-929-1111

## CANT STRIP

FROM: _____		Email: _____	
PURCHASE ORDER #: _____		ATTN: _____	
CUST. / JOB NAME: _____		ORDERED BY: _____	
ORDER DATE: _____		SENDER PHONE #: _____	
DATE REQUIRED: _____		SENDER FAX #: _____	

MATERIAL / COLOR: _____	GAUGE: _____	LINEAR FOOTAGE: _____
-------------------------	--------------	-----------------------

Item # : <b>22</b>	Description: <b>Cant Strip</b>
--------------------	--------------------------------

<p>STANDARD <input type="checkbox"/></p> <p style="text-align: center;">45° Angle</p>	<p>CUSTOM <input type="checkbox"/></p> <p style="text-align: center;">___° Angle</p>
---	--

For Corners, S-Locks, Hook strip etc. see accessories section of this catalog.

Special Instructions	DELIVER _____ PICKUP _____ INSTALL _____
----------------------	--



The Professionals Choice

From Victoria Phone: 250-652-5523 From Victoria Fax: 250-652-5169  
 From Duncan Phone: 250-929-1110 From Duncan Fax: 250-929-1111

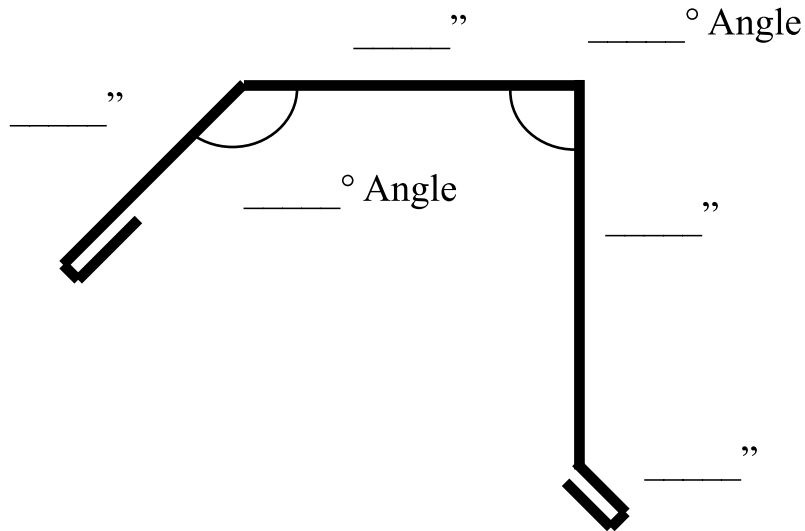
## CANT STRIP W/TRAILER

FROM: _____		Email: _____	
PURCHASE ORDER #: _____		ATTN: _____	
CUST. / JOB NAME: _____		ORDERED BY: _____	
ORDER DATE: _____		SENDER PHONE #: _____	
DATE REQUIRED: _____		SENDER FAX #: _____	

MATERIAL / COLOR: _____	GAUGE: _____	LINEAR FOOTAGE: _____
-------------------------	--------------	-----------------------

Item # : <b>23</b>	Cant Strip with Trailer
--------------------	-------------------------

CUSTOM SIZES ONLY



For Corners, S-Locks, Hook strip etc. see accessories section of this catalog.

Special Instructions	DELIVER _____ PICKUP _____ INSTALL _____
----------------------	--





From Victoria Phone: 250-652-5523 From Victoria Fax: 250-652-5169  
 From Duncan Phone: 250-929-1110 From Duncan Fax: 250-929-1111

## WINDOW HEAD FLASHING

<b>FROM:</b> _____	<b>Email:</b> _____
<b>PURCHASE ORDER #:</b> _____	<b>ATTN:</b> _____
<b>CUST. / JOB NAME:</b> _____	<b>ORDERED BY:</b> _____
<b>ORDER DATE:</b> _____	<b>SENDER PHONE #:</b> _____
<b>DATE REQUIRED:</b> _____	<b>SENDER FAX #:</b> _____

<i>MATERIAL / COLOR:</i> _____	<i>GAUGE:</i> _____	<i>LINEAR FOOTAGE:</i> _____
--------------------------------	---------------------	------------------------------

<b>Item # : 25</b>	<b>Window Head Flashing</b>
--------------------	-----------------------------

<p><b>STANDARD SIZES:</b></p> <p style="margin-left: 40px;"><math>C = 7/8''</math> <input type="checkbox"/></p> <p style="margin-left: 40px;"><math>C = 1\ 1/4''</math> <input type="checkbox"/></p> <p style="margin-left: 40px;"><math>C = 2''</math> <input type="checkbox"/></p>	<p><b>CUSTOM</b> <input type="checkbox"/></p>
--	---

Special Instructions	DELIVER _____ PICKUP _____ INSTALL _____
----------------------	--



The Professionals Choice

From Victoria Phone: 250-652-5523 From Victoria Fax: 250-652-5169  
 From Duncan Phone: 250-929-1110 From Duncan Fax: 250-929-1111

# WINDOW HEAD W/EXTENSION

<b>FROM:</b> _____	<b>Email:</b> _____
<b>PURCHASE ORDER #:</b> _____	<b>ATTN:</b> _____
<b>CUST. / JOB NAME:</b> _____	<b>ORDERED BY:</b> _____
<b>ORDER DATE:</b> _____	<b>SENDER PHONE #:</b> _____
<b>DATE REQUIRED:</b> _____	<b>SENDER FAX #:</b> _____

<i>MATERIAL / COLOR:</i> _____	<i>GAUGE:</i> _____	<i>LINEAR FOOTAGE:</i> _____
--------------------------------	---------------------	------------------------------

<b>Item # : 26</b>	<b>Window Head Flashing w/extension</b>
--------------------	---

<p><b>STANDARD SIZES:</b></p> <p>C = 7/8" <input type="checkbox"/></p> <p>C = 1 1/4" <input type="checkbox"/></p> <p>C = 2" <input type="checkbox"/></p>	<p><b>CUSTOM</b> <input type="checkbox"/></p>
--	---

Special Instructions	DELIVER _____ PICKUP _____ INSTALL _____
----------------------	--



From Victoria Phone: 250-652-5523 From Victoria Fax: 250-652-5169  
 From Duncan Phone: 250-929-1110 From Duncan Fax: 250-929-1111

## GUM CAP

<b>FROM:</b> _____		<b>Email:</b> _____	
<b>PURCHASE ORDER #:</b> _____		<b>ATTN:</b> _____	
<b>CUST. / JOB NAME:</b> _____		<b>ORDERED BY:</b> _____	
<b>ORDER DATE:</b> _____		<b>SENDER PHONE #:</b> _____	
<b>DATE REQUIRED:</b> _____		<b>SENDER FAX #:</b> _____	

<b>MATERIAL / COLOR:</b> _____	<b>GAUGE:</b> _____	<b>LINEAR FOOTAGE:</b> _____
--------------------------------	---------------------	------------------------------

<b>Item # : 24</b>	<b>Description: Gum Cap</b>
<p><b>STANDARD</b> <input type="checkbox"/></p>	<p><b>CUSTOM</b> <input type="checkbox"/></p>

<b>Special Instructions</b>	<b>DELIVER</b> _____ <b>PICKUP</b> _____ <b>INSTALL</b> _____
-----------------------------	---



The Professionals Choice

From Victoria Phone: 250-652-5523 From Victoria Fax: 250-652-5169  
 From Duncan Phone: 250-929-1110 From Duncan Fax: 250-929-1111

# WALL FLASHING

FROM: _____		Email: _____	
PURCHASE ORDER #: _____		ATTN: _____	
CUST. / JOB NAME: _____		ORDERED BY: _____	
ORDER DATE: _____		SENDER PHONE #: _____	
DATE REQUIRED: _____		SENDER FAX #: _____	

MATERIAL / COLOR: _____	GAUGE: _____	LINEAR FOOTAGE: _____
-------------------------	--------------	-----------------------

Item # : <b>27</b>	Description: <b>Wall Flashing</b>
--------------------	-----------------------------------

STANDARD <input type="checkbox"/>  <p>4" 3 1/2" 45° Angle</p>	CUSTOM <input type="checkbox"/>  <p>____"____" ____" ____ Angle</p>
---	---

Special Instructions	DELIVER _____ PICKUP _____ INSTALL _____
----------------------	--



The Professionals Choice

From Victoria Phone: 250-652-5523 From Victoria Fax: 250-652-5169  
 From Duncan Phone: 250-929-1110 From Duncan Fax: 250-929-1111

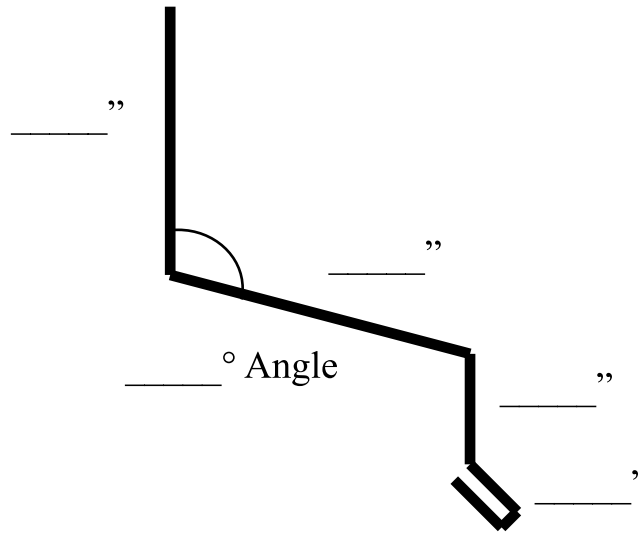
# THROUGH WALL FLASHING

FROM: _____		Email: _____	
PURCHASE ORDER #: _____		ATTN: _____	
CUST. / JOB NAME: _____		ORDERED BY: _____	
ORDER DATE: _____		SENDER PHONE #: _____	
DATE REQUIRED: _____		SENDER FAX #: _____	

MATERIAL / COLOR: _____	GAUGE: _____	LINEAR FOOTAGE: _____
-------------------------	--------------	-----------------------

Item # : <b>28</b>	Through Wall Flashing
--------------------	-----------------------

CUSTOM SIZES ONLY



Special Instructions	DELIVER _____ PICKUP _____ INSTALL _____
----------------------	--



The Professionals Choice

From Victoria Phone: 250-652-5523 From Victoria Fax: 250-652-5169  
 From Duncan Phone: 250-929-1110 From Duncan Fax: 250-929-1111

# FOUNDATION FLASHING

<b>FROM:</b> _____		<b>Email:</b> _____	
<b>PURCHASE ORDER #:</b> _____		<b>ATTN:</b> _____	
<b>CUST. / JOB NAME:</b> _____		<b>ORDERED BY:</b> _____	
<b>ORDER DATE:</b> _____		<b>SENDER PHONE #:</b> _____	
<b>DATE REQUIRED:</b> _____		<b>SENDER FAX #:</b> _____	

<i>MATERIAL / COLOR:</i> _____	<i>GAUGE:</i> _____	<i>LINEAR FOOTAGE:</i> _____
--------------------------------	---------------------	------------------------------

<b>Item # : 29</b>	<b>Foundation Flashing</b>
<p>STANDARD <input type="checkbox"/></p>	<p>CUSTOM <input type="checkbox"/></p>
<p>Special Instructions _____</p> <p style="text-align: right;">DELIVER _____ PICKUP _____ INSTALL _____</p>	



From Victoria Phone: 250-652-5523 From Victoria Fax: 250-652-5169  
 From Duncan Phone: 250-929-1110 From Duncan Fax: 250-929-1111

## BRICK FLASHING

<b>FROM:</b> _____	<b>Email:</b> _____
<b>PURCHASE ORDER #:</b> _____	<b>ATTN:</b> _____
<b>CUST. / JOB NAME:</b> _____	<b>ORDERED BY:</b> _____
<b>ORDER DATE:</b> _____	<b>SENDER PHONE #:</b> _____
<b>DATE REQUIRED:</b> _____	<b>SENDER FAX #:</b> _____

<i>MATERIAL / COLOR:</i> _____	<i>GAUGE:</i> _____	<i>LINEAR FOOTAGE:</i> _____
--------------------------------	---------------------	------------------------------

<b>Item # : 30</b>	<b>Description: Brick Flashing</b>
--------------------	------------------------------------

<p>STANDARD <input type="checkbox"/></p> <p style="text-align: center;">90° Angle</p>	<p>CUSTOM <input type="checkbox"/></p> <p style="text-align: center;">° Angle</p>
---	---

Special Instructions	DELIVER _____ PICKUP _____ INSTALL _____
----------------------	--



*THE PROFESSIONALS CHOICE*

Custom  
**Metal  
Accessories**

[www.ravenmetal.ca](http://www.ravenmetal.ca)

1356 Ball Road, Cobble Hill BC  
From Victoria Call: 250-652-5523 Fax: 250-652-5169

Toll Free in BC: 1-888-552-5523  
From Duncan Call: 250-929-1110 Fax: 250-929-1111





The Professionals Choice

From Victoria Phone: 250-652-5523 From Victoria Fax: 250-652-5169  
 From Duncan Phone: 250-929-1110 From Duncan Fax: 250-929-1111

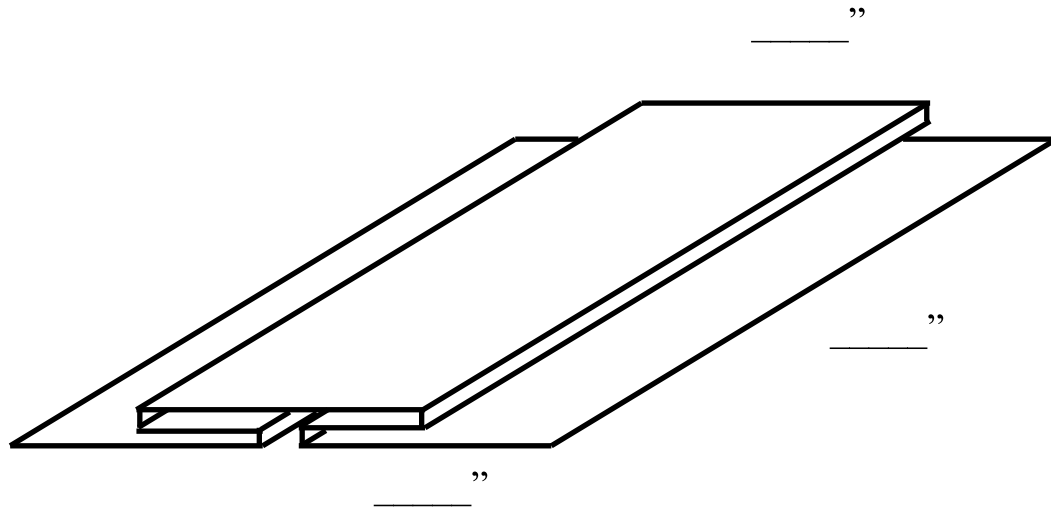
## DOUBLE S-CLIP

FROM: _____		Email: _____
PURCHASE ORDER #: _____		ATTN: _____
CUST. / JOB NAME: _____		ORDERED BY: _____
ORDER DATE: _____		SENDER PHONE #: _____
DATE REQUIRED: _____		SENDER FAX #: _____

MATERIAL / COLOR: _____	GAUGE: _____	QUANTITY: _____
-------------------------	--------------	-----------------

Item # : <b>19A</b>	Description: <b>Double S-Clip</b>
---------------------	-----------------------------------

CUSTOM SIZES ONLY



Special Instructions	DELIVER _____ PICKUP _____ INSTALL _____
----------------------	--



The Professionals Choice

From Victoria Phone: 250-652-5523 From Victoria Fax: 250-652-5169  
 From Duncan Phone: 250-929-1110 From Duncan Fax: 250-929-1111

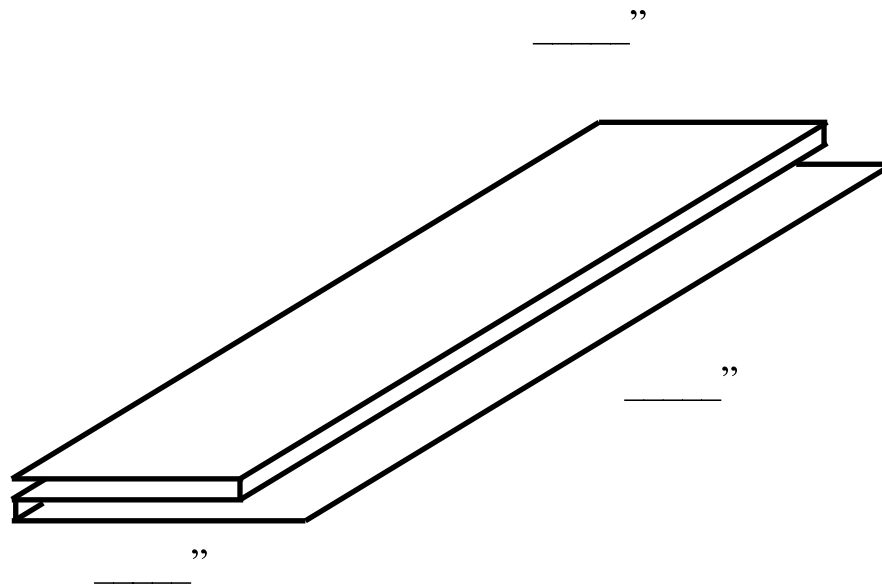
# SINGLE S-CLIP

<b>FROM:</b> _____		<b>Email:</b> _____
<b>PURCHASE ORDER #:</b> _____	<b>ATTN:</b> _____	
<b>CUST. / JOB NAME:</b> _____	<b>ORDERED BY:</b> _____	
<b>ORDER DATE:</b> _____	<b>SENDER PHONE #:</b> _____	
<b>DATE REQUIRED:</b> _____	<b>SENDER FAX #:</b> _____	

<b>MATERIAL / COLOR:</b> _____	<b>GAUGE:</b> _____	<b>QUANTITY:</b> _____
--------------------------------	---------------------	------------------------

<b>Item # : 19B</b>	<b>Description: Single S-Clip</b>
---------------------	-----------------------------------

CUSTOM SIZES ONLY



<b>Special Instructions</b>	<b>DELIVER</b> _____ <b>PICKUP</b> _____ <b>INSTALL</b> _____
-----------------------------	---



The Professionals Choice

From Victoria Phone: 250-652-5523 From Victoria Fax: 250-652-5169  
 From Duncan Phone: 250-929-1110 From Duncan Fax: 250-929-1111

## BUILT IN S-LOCK

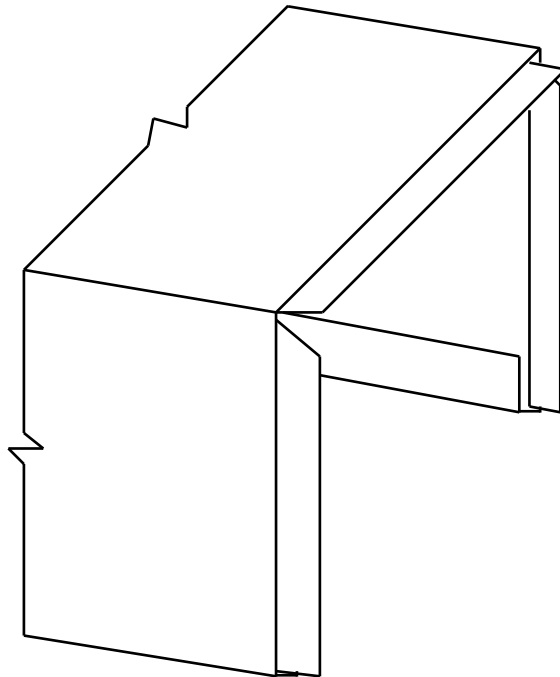
<b>FROM:</b> _____		<b>Email:</b> _____	
<b>PURCHASE ORDER #:</b> _____		<b>ATTN:</b> _____	
<b>CUST. / JOB NAME:</b> _____		<b>ORDERED BY:</b> _____	
<b>ORDER DATE:</b> _____		<b>SENDER PHONE #:</b> _____	
<b>DATE REQUIRED:</b> _____		<b>SENDER FAX #:</b> _____	

<b>MATERIAL / COLOR:</b> _____	<b>GAUGE:</b> _____	<b>QUANTITY:</b> _____
--------------------------------	---------------------	------------------------

<b>Item # : 19C</b>	<b>Description: Built in S-Lock</b>
---------------------	-------------------------------------

S-Lock determined from roof  
 or balcony standpoint  
*looking toward street.*

LEFT  
 RIGHT

<b>Special Instructions</b>	<b>DELIVER</b> _____ <b>PICKUP</b> _____ <b>INSTALL</b> _____
-----------------------------	---



The Professionals Choice

From Victoria Phone: 250-652-5523 From Victoria Fax: 250-652-5169  
 From Duncan Phone: 250-929-1110 From Duncan Fax: 250-929-1111

# 90° CORNER

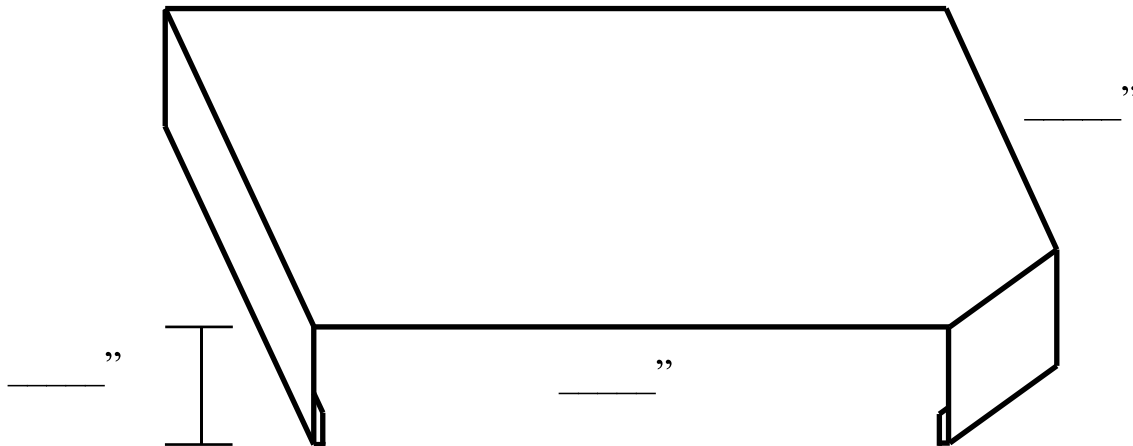
FROM: _____		Email: _____	
PURCHASE ORDER #: _____		ATTN: _____	
CUST. / JOB NAME: _____		ORDERED BY: _____	
ORDER DATE: _____		SENDER PHONE #: _____	
DATE REQUIRED: _____		SENDER FAX #: _____	

MATERIAL / COLOR: _____	GAUGE: _____	QUANTITY: _____
-------------------------	--------------	-----------------

Item # : 19D	Description: 90° Corner
--------------	-------------------------

To match accompanying cap flashing order.

CUSTOM



Special Instructions	DELIVER _____ PICKUP _____ INSTALL _____
----------------------	--



The Professionals Choice

From Victoria Phone: 250-652-5523 From Victoria Fax: 250-652-5169  
From Duncan Phone: 250-929-1110 From Duncan Fax: 250-929-1111

# 45° CORNER

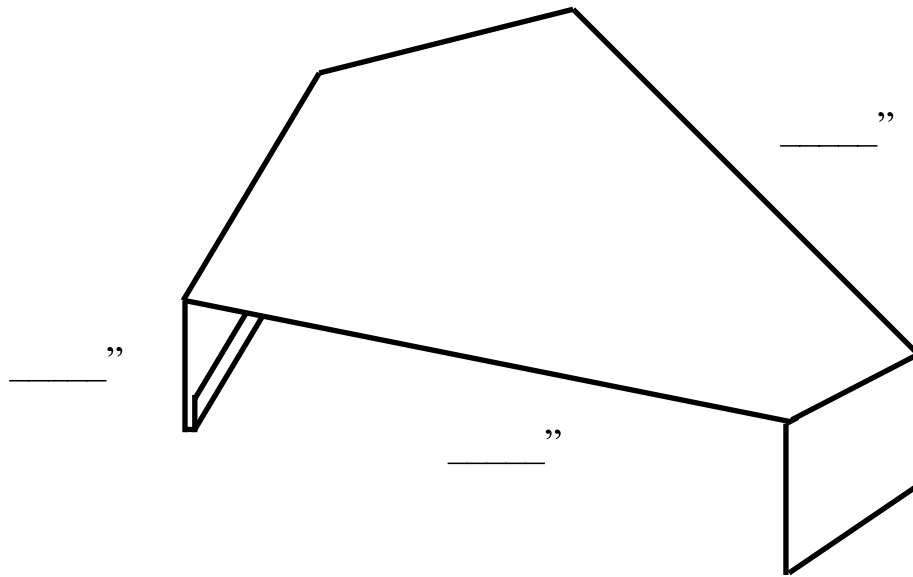
FROM: _____		Email: _____	
PURCHASE ORDER #: _____		ATTN: _____	
CUST. / JOB NAME: _____		ORDERED BY: _____	
ORDER DATE: _____		SENDER PHONE #: _____	
DATE REQUIRED: _____		SENDER FAX #: _____	

MATERIAL / COLOR: _____	GAUGE: _____	QUANTITY: _____
-------------------------	--------------	-----------------

Item # : <b>19E</b>	Description: <b>45° Corner</b>
---------------------	--------------------------------

To match accompanying  cap flashing order.

CUSTOM



Special Instructions	DELIVER _____ PICKUP _____ INSTALL _____
----------------------	--



The Professionals Choice

From Victoria Phone: 250-652-5523 From Victoria Fax: 250-652-5169  
 From Duncan Phone: 250-929-1110 From Duncan Fax: 250-929-1111

## 22.5° Corner

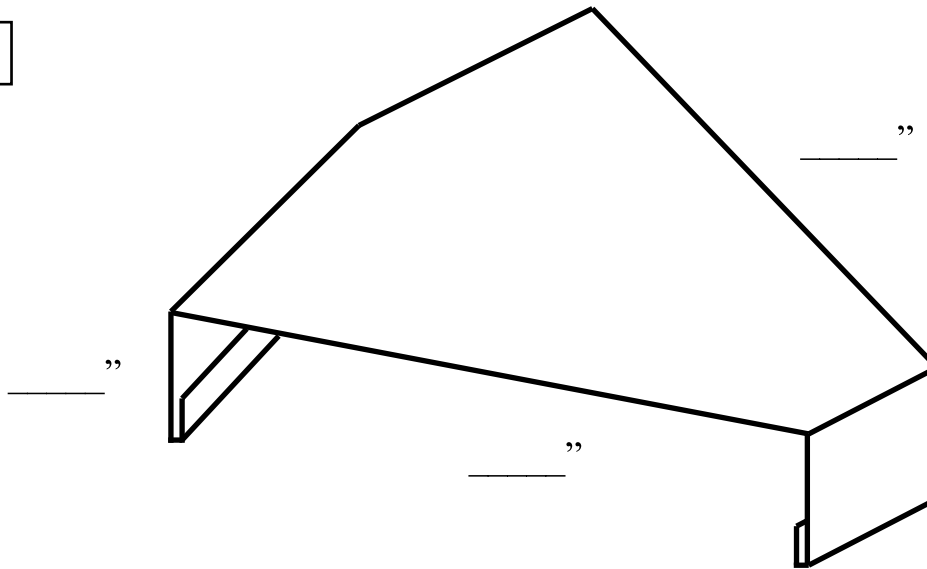
FROM: _____		Email: _____	
PURCHASE ORDER #: _____		ATTN: _____	
CUST. / JOB NAME: _____		ORDERED BY: _____	
ORDER DATE: _____		SENDER PHONE #: _____	
DATE REQUIRED: _____		SENDER FAX #: _____	

MATERIAL / COLOR: _____	GAUGE: _____	QUANTITY: _____
-------------------------	--------------	-----------------

Item # : 19F	Description: 22.5° Corner
--------------	---------------------------

To match accompanying cap flashing order.

CUSTOM



Special Instructions	DELIVER _____ PICKUP _____ INSTALL _____
----------------------	--



The Professionals Choice

From Victoria Phone: 250-652-5523 From Victoria Fax: 250-652-5169  
 From Duncan Phone: 250-929-1110 From Duncan Fax: 250-929-1111

# CUSTOM CORNER

FROM: _____	Email: _____
-------------	--------------

PURCHASE ORDER #: _____	ATTN: _____
-------------------------	-------------

CUST. / JOB NAME: _____	ORDERED BY: _____
-------------------------	-------------------

ORDER DATE: _____	SENDER PHONE #: _____
-------------------	-----------------------

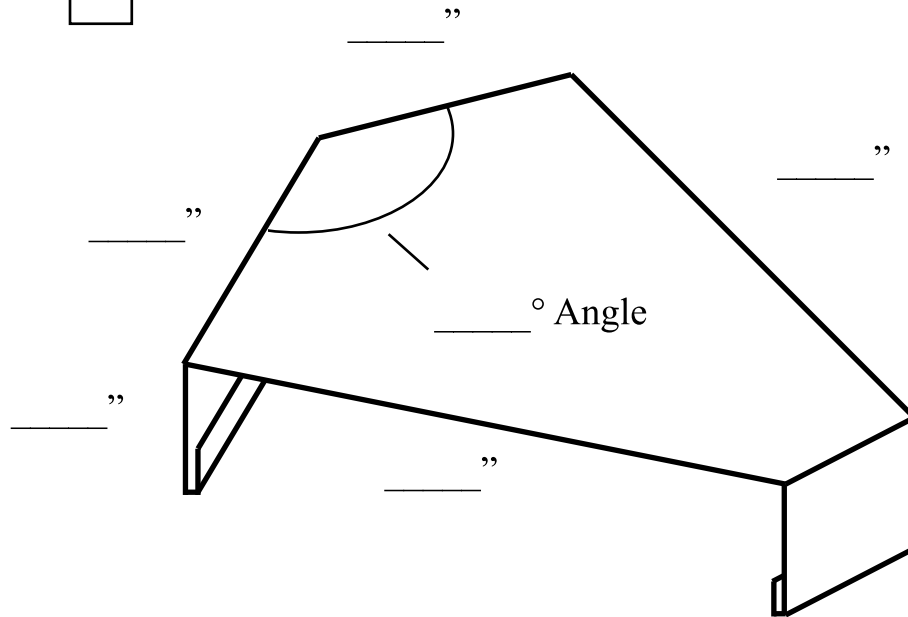
DATE REQUIRED: _____	SENDER FAX #: _____
----------------------	---------------------

MATERIAL / COLOR: _____	GAUGE: _____	QUANTITY: _____
-------------------------	--------------	-----------------

Item # : <b>19G</b>	Description: <b>Custom Corner</b>
---------------------	-----------------------------------

To match accompanying cap flashing order.

CUSTOM



Special Instructions

DELIVER \_\_\_\_\_ PICKUP \_\_\_\_\_ INSTALL \_\_\_\_\_



The Professionals Choice

From Victoria Phone: 250-652-5523 From Victoria Fax: 250-652-5169  
 From Duncan Phone: 250-929-1110 From Duncan Fax: 250-929-1111

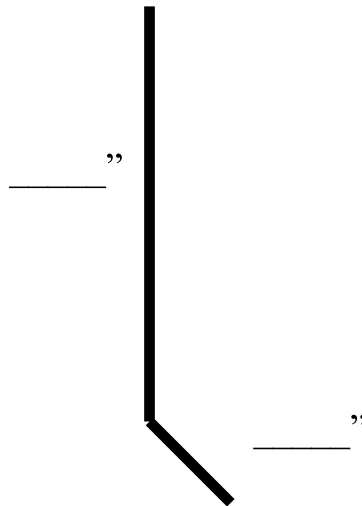
# HOOK STRIP

<b>FROM:</b> _____		<b>Email:</b> _____
<b>PURCHASE ORDER #:</b> _____	<b>ATTN:</b> _____	
<b>CUST. / JOB NAME:</b> _____	<b>ORDERED BY:</b> _____	
<b>ORDER DATE:</b> _____	<b>SENDER PHONE #:</b> _____	
<b>DATE REQUIRED:</b> _____	<b>SENDER FAX #:</b> _____	

<b>MATERIAL / COLOR:</b> _____	<b>GAUGE:</b> _____	<b>LINEAR FOOTAGE:</b> _____
--------------------------------	---------------------	------------------------------

<b>Item # : 19H</b>	<b>Description: Hook Strip</b>
---------------------	--------------------------------

CUSTOM SIZES ONLY



<b>Special Instructions</b>	<b>DELIVER</b> _____ <b>PICKUP</b> _____ <b>INSTALL</b> _____
-----------------------------	---





*THE PROFESSIONALS CHOICE*

# Other Custom Items

[www.ravenmetal.ca](http://www.ravenmetal.ca)

1356 Ball Road, Cobble Hill BC      Toll Free in BC: 1-888-552-5523  
From Victoria Call: 250-652-5523      Fax: 250-652-5169      From Duncan Call: 250-929-1110      Fax: 250-929-1111



The Professionals Choice

South Island Call: 250-652-5523  
 South Island Fax: 250-652-5169

Cowichan Valley Call: 250-929-1110  
 Cowichan Valley Fax: 250-929-1111

# CUSTOM SADDLE

<b>FROM:</b> _____		<b>Email:</b> _____
<b>PURCHASE ORDER #:</b> _____	<b>ATTN:</b> _____	
<b>CUST. / JOB NAME:</b> _____	<b>ORDERED BY:</b> _____	
<b>ORDER DATE:</b> _____	<b>SENDER PHONE #:</b> _____	
<b>DATE REQUIRED:</b> _____	<b>SENDER FAX #:</b> _____	

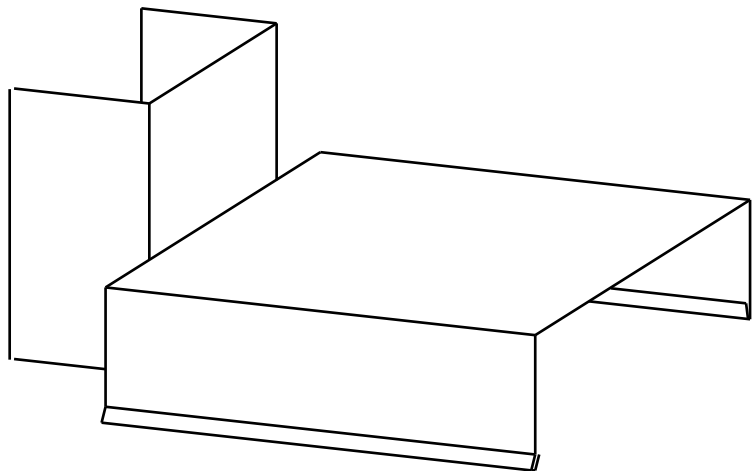
<b>MATERIAL / COLOR:</b> _____	<b>GAUGE:</b> _____	<b>QUANTITY:</b> _____
--------------------------------	---------------------	------------------------

<b>Item # : 58</b>	<b>Description: Custom Saddle</b>
--------------------	-----------------------------------

**CUSTOM SIZES ONLY**

This is an example of one style only.  
 Saddles are custom made to your exact specifications and design needs.

Please contact us for ordering.



**Office Use Only**

DELIVER \_\_\_\_\_ PICKUP \_\_\_\_\_ INSTALL \_\_\_\_\_

Gauge Used: \_\_\_\_\_ Colour: \_\_\_\_\_ Stretch Out: \_\_\_\_\_ Shop Time: \_\_\_\_\_



The Professionals Choice

South Island Call: 250-652-5523  
 South Island Fax: 250-652-5169

Cowichan Valley Call: 250-929-1110  
 Cowichan Valley Fax: 250-929-1111

## GUTTER DIVERTER

FROM: _____		Email: _____	
PURCHASE ORDER #: _____		ATTN: _____	
CUST. / JOB NAME: _____		ORDERED BY: _____	
ORDER DATE: _____		SENDER PHONE #: _____	
DATE REQUIRED: _____		SENDER FAX #: _____	

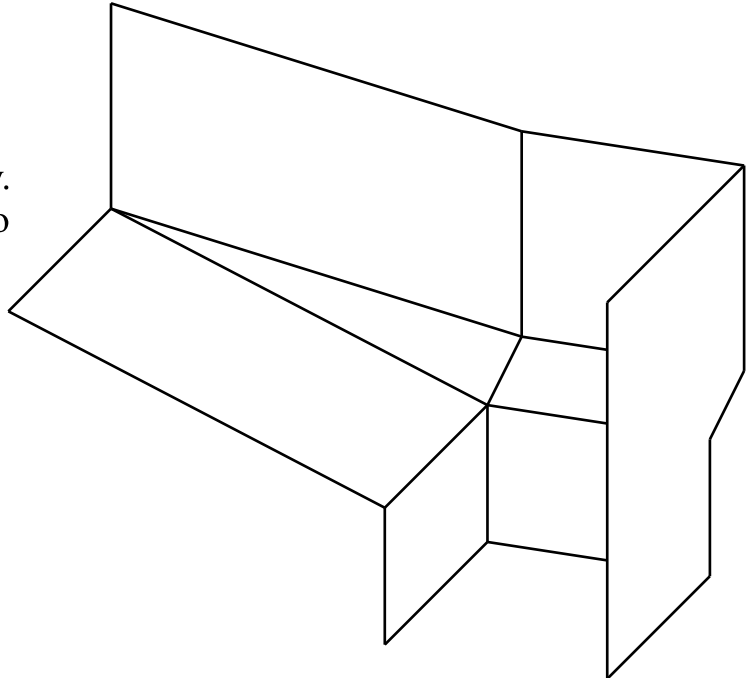
MATERIAL / COLOR: _____	GAUGE: _____	QUANTITY: _____
-------------------------	--------------	-----------------

Item # : <b>59</b>	Description: <b>Gutter Diverter</b>
--------------------	-------------------------------------

**CUSTOM SIZES ONLY**

This is an example of one style only.  
 Gutter Diverters are custom made to  
 your exact specifications and  
 design needs.

Please contact us for ordering.



<i>Office Use Only</i>	DELIVER _____ PICKUP _____ INSTALL _____
Gauge Used: _____ Colour: _____ Stretch Out: _____ Shop Time: _____	



The Professionals Choice

South Island Call: 250-652-5523  
 South Island Fax: 250-652-5169

Cowichan Valley Call: 250-929-1110  
 Cowichan Valley Fax: 250-929-1111

# COPPER SCUPPER

FROM: _____		Email: _____	
PURCHASE ORDER #: _____		ATTN: _____	
CUST. / JOB NAME: _____		ORDERED BY: _____	
ORDER DATE: _____		SENDER PHONE #: _____	
DATE REQUIRED: _____		SENDER FAX #: _____	

MATERIAL / COLOR: _____ Copper _____	GAUGE: _____	QUANTITY: _____
--------------------------------------	--------------	-----------------

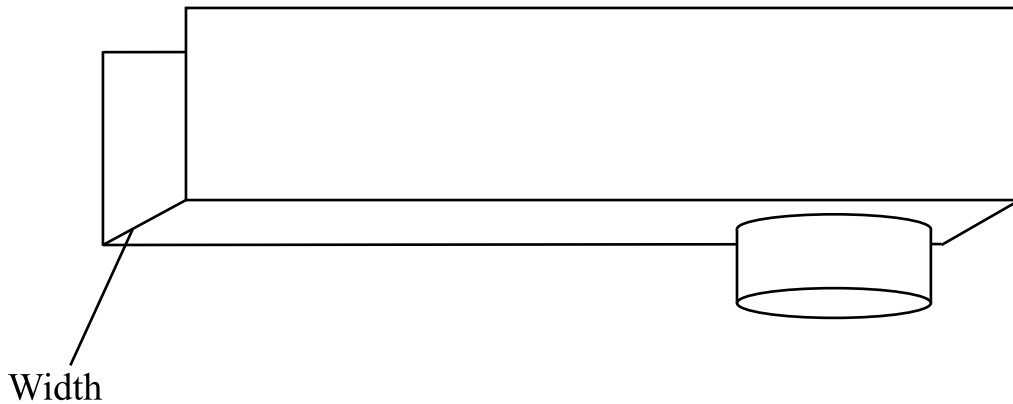
Item # : <b>47</b>	Description: <b>Copper Scupper</b>
--------------------	------------------------------------

**CUSTOM SIZES ONLY**

Length \_\_\_\_\_ ”  
 Width \_\_\_\_\_ ”  
 Height \_\_\_\_\_ ”

Pipe Diameter \_\_\_\_\_ ”  
 Pipe Length \_\_\_\_\_ ”

Length



**Office Use Only**

DELIVER \_\_\_\_\_ PICKUP \_\_\_\_\_ INSTALL \_\_\_\_\_

Gauge Used: \_\_\_\_\_ Colour: \_\_\_\_\_ Stretch Out: \_\_\_\_\_ Shop Time: \_\_\_\_\_



The Professionals Choice

South Island Call: 250-652-5523  
 South Island Fax: 250-652-5169

Cowichan Valley Call: 250-929-1110  
 Cowichan Valley Fax: 250-929-1111

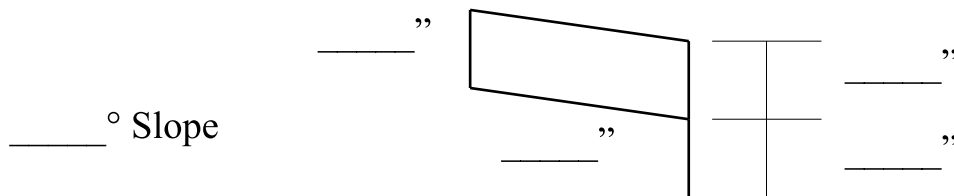
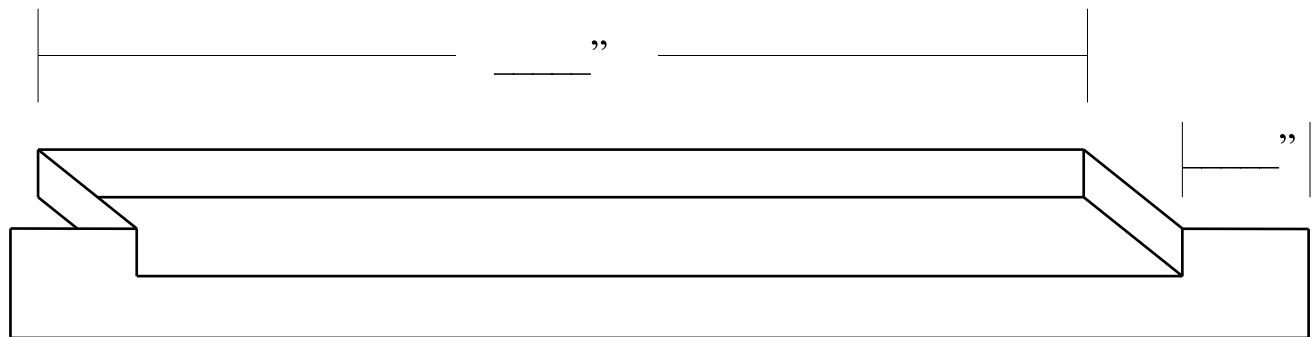
# WINDOW PAN

<b>FROM:</b> _____		<b>Email:</b> _____
<b>PURCHASE ORDER #:</b> _____	<b>ATTN:</b> _____	
<b>CUST. / JOB NAME:</b> _____	<b>ORDERED BY:</b> _____	
<b>ORDER DATE:</b> _____	<b>SENDER PHONE #:</b> _____	
<b>DATE REQUIRED:</b> _____	<b>SENDER FAX #:</b> _____	

<b>MATERIAL / COLOR:</b> _____	<b>GAUGE:</b> _____	<b>QUANTITY:</b> _____
--------------------------------	---------------------	------------------------

<b>Item # : 64</b>	<b>Description: Window Pan</b>
--------------------	--------------------------------

**CUSTOM SIZES ONLY**



**Office Use Only**

DELIVER \_\_\_\_\_ PICKUP \_\_\_\_\_ INSTALL \_\_\_\_\_

Gauge Used: \_\_\_\_\_ Colour: \_\_\_\_\_ Stretch Out: \_\_\_\_\_ Shop Time: \_\_\_\_\_



The Professionals Choice

South Island Call: 250-652-5523  
 South Island Fax: 250-652-5169

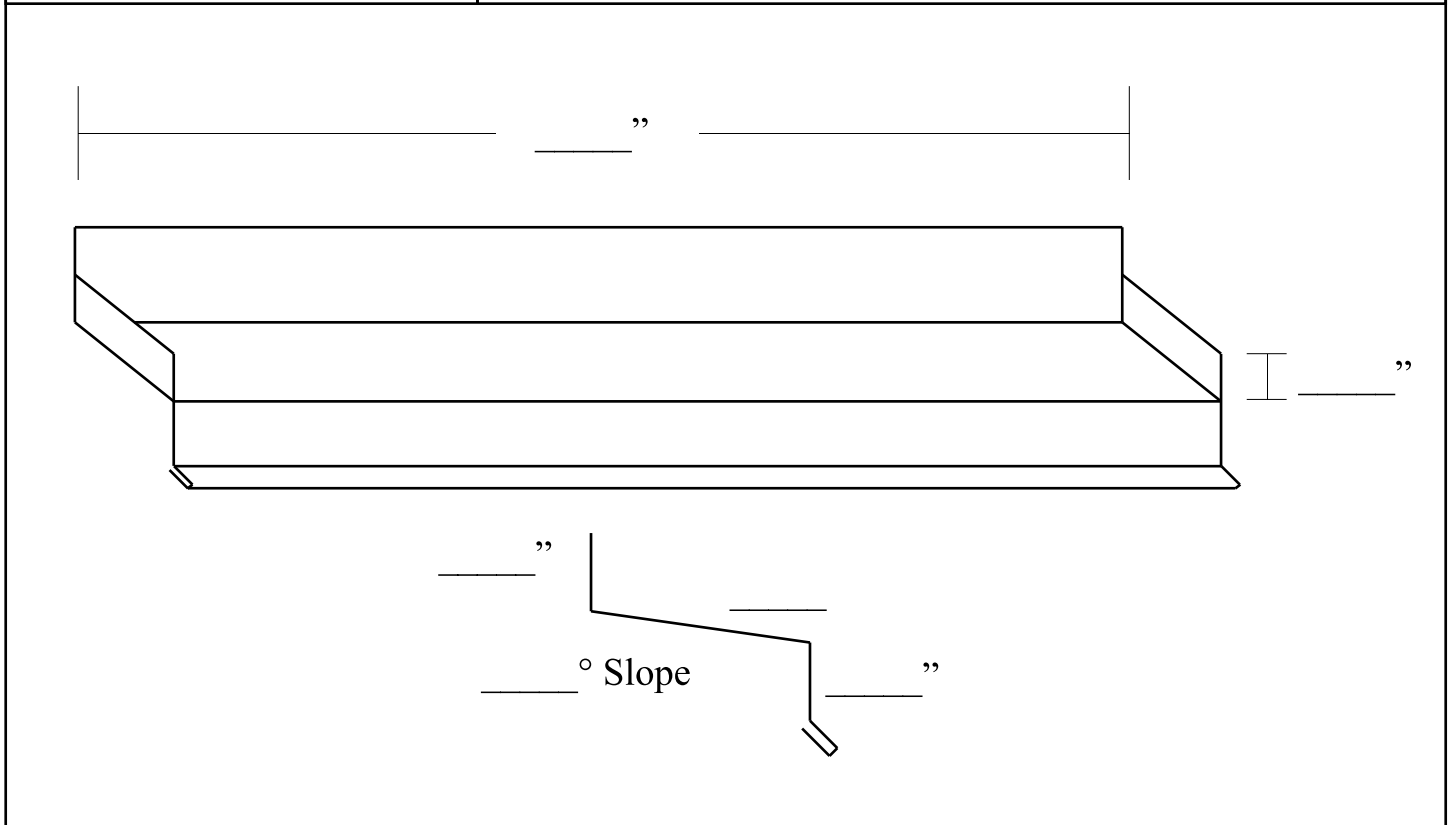
Cowichan Valley Call: 250-929-1110  
 Cowichan Valley Fax: 250-929-1111

**WINDOW SILL W/END DAMS**

<b>FROM:</b> _____		<b>Email:</b> _____	
<b>PURCHASE ORDER #:</b> _____		<b>ATTN:</b> _____	
<b>CUST. / JOB NAME:</b> _____		<b>ORDERED BY:</b> _____	
<b>ORDER DATE:</b> _____		<b>SENDER PHONE #:</b> _____	
<b>DATE REQUIRED:</b> _____		<b>SENDER FAX #:</b> _____	

<b>MATERIAL / COLOR:</b> _____	<b>GAUGE:</b> _____	<b>QUANTITY:</b> _____
--------------------------------	---------------------	------------------------

<b>Item # : 65</b>	<b>Window Sill With End Dams CUSTOM SIZES ONLY</b>
--------------------	--



<b>Office Use Only</b>	DELIVER _____ PICKUP _____ INSTALL _____
Gauge Used: _____ Colour: _____ Stretch Out: _____ Shop Time: _____	



The Professionals Choice

South Island Call: 250-652-5523  
 South Island Fax: 250-652-5169

Cowichan Valley Call: 250-929-1110  
 Cowichan Valley Fax: 250-929-1111

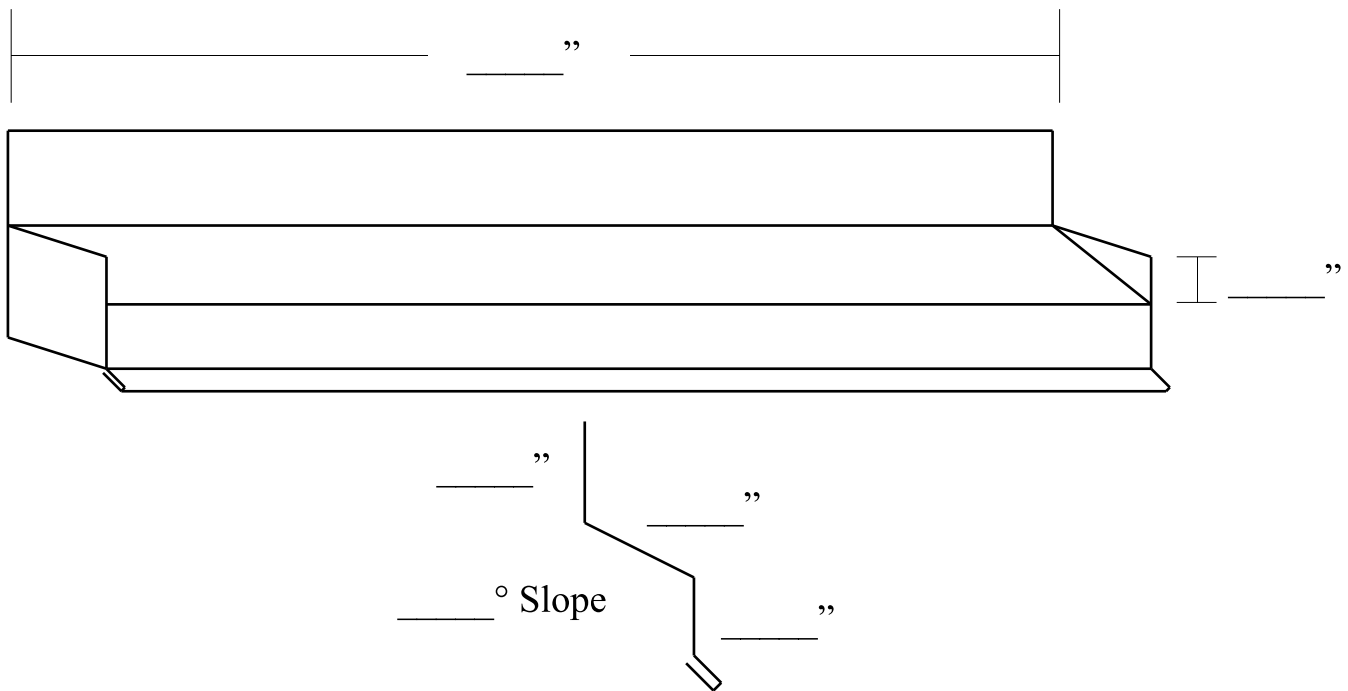
### WINDOW HEAD WITH END DAMS

<b>FROM:</b> _____		<b>Email:</b> _____	
<b>PURCHASE ORDER #:</b> _____		<b>ATTN:</b> _____	
<b>CUST. / JOB NAME:</b> _____		<b>ORDERED BY:</b> _____	
<b>ORDER DATE:</b> _____		<b>SENDER PHONE #:</b> _____	
<b>DATE REQUIRED:</b> _____		<b>SENDER FAX #:</b> _____	

<i>MATERIAL / COLOR:</i> _____	<i>GAUGE:</i> _____	<i>QUANTITY:</i> _____
--------------------------------	---------------------	------------------------

<b>Item # : 66</b>	<b>Window Head with End Dams</b>
--------------------	----------------------------------

CUSTOM SIZES ONLY



<b>Office Use Only</b>	DELIVER _____ PICKUP _____ INSTALL _____
Gauge Used: _____ Colour: _____ Stretch Out: _____ Shop Time: _____	



The Professionals Choice

South Island Call: 250-652-5523  
 South Island Fax: 250-652-5169

Cowichan Valley Call: 250-929-1110  
 Cowichan Valley Fax: 250-929-1111

## HOT WATER PAN

FROM: _____		Email: _____	
PURCHASE ORDER #: _____		ATTN: _____	
CUST. / JOB NAME: _____		ORDERED BY: _____	
ORDER DATE: _____		SENDER PHONE #: _____	
DATE REQUIRED: _____		SENDER FAX #: _____	

MATERIAL / COLOR: _____	GAUGE: _____	QUANTITY: _____
-------------------------	--------------	-----------------

Item #: <b>67</b>	Description: <b>Hot Water Pan</b>
-------------------	-----------------------------------

**CUSTOM SIZES ONLY**

~ Square ~

\_\_\_\_\_ " X \_\_\_\_\_ " X \_\_\_\_\_ "

L                  W                  H

~ Rectangle ~

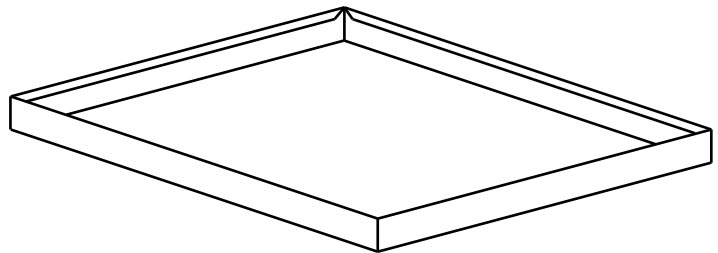
\_\_\_\_\_ " X \_\_\_\_\_ " X \_\_\_\_\_ "

L                  W                  H

~ Round ~

\_\_\_\_\_ " X \_\_\_\_\_ "

Diam.                  H



**Office Use Only**

DELIVER \_\_\_\_\_ PICKUP \_\_\_\_\_ INSTALL \_\_\_\_\_

Gauge Used: \_\_\_\_\_ Colour: \_\_\_\_\_ Stretch Out: \_\_\_\_\_ Shop Time: \_\_\_\_\_





The Professionals Choice

South Island Call: 250-652-5523  
 South Island Fax: 250-652-5169

Cowichan Valley Call: 250-929-1110  
 Cowichan Valley Fax: 250-929-1111

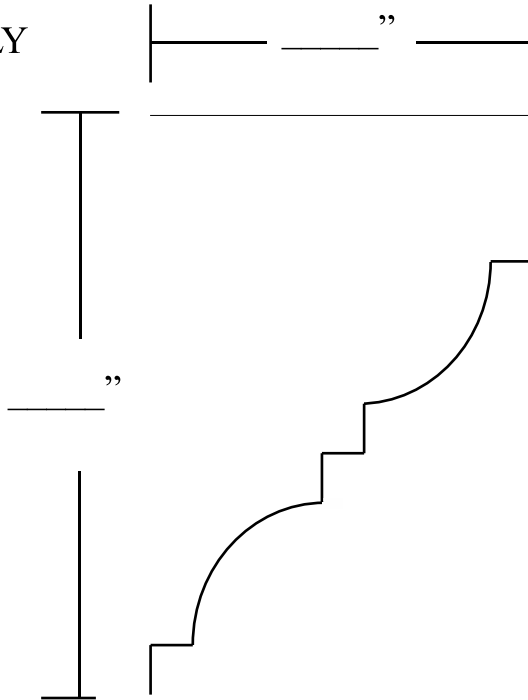
# CORNICE STYLE 1

FROM: _____		Email: _____	
PURCHASE ORDER #: _____		ATTN: _____	
CUST. / JOB NAME: _____		ORDERED BY: _____	
ORDER DATE: _____		SENDER PHONE #: _____	
DATE REQUIRED: _____		SENDER FAX #: _____	

MATERIAL / COLOR: _____	GAUGE: _____	LINEAR FOOTAGE: _____
-------------------------	--------------	-----------------------

Item # : <b>48</b>	Description: <b>Cornice #1</b>
--------------------	--------------------------------

CUSTOM SIZES ONLY



Office Use Only

DELIVER \_\_\_\_\_ PICKUP \_\_\_\_\_ INSTALL \_\_\_\_\_

Gauge Used: \_\_\_\_\_ Colour: \_\_\_\_\_ Stretch Out: \_\_\_\_\_ Shop Time: \_\_\_\_\_



The Professionals Choice

South Island Call: 250-652-5523  
 South Island Fax: 250-652-5169

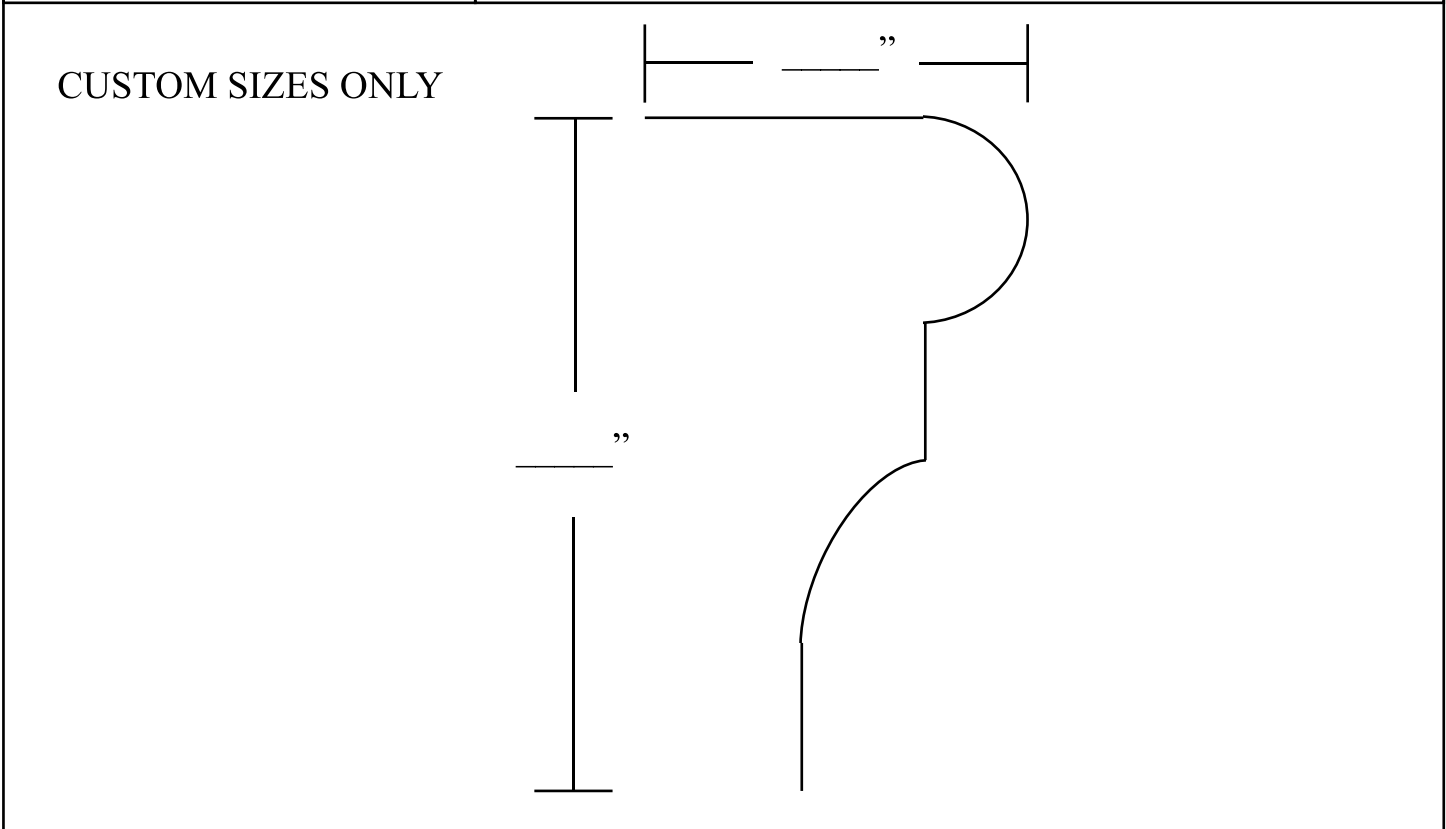
Cowichan Valley Call: 250-929-1110  
 Cowichan Valley Fax: 250-929-1111

## CORNICE STYLE 2

FROM: _____		Email: _____	
PURCHASE ORDER #: _____		ATTN: _____	
CUST. / JOB NAME: _____		ORDERED BY: _____	
ORDER DATE: _____		SENDER PHONE #: _____	
DATE REQUIRED: _____		SENDER FAX #: _____	

MATERIAL / COLOR: _____	GAUGE: _____	LINEAR FOOTAGE: _____
-------------------------	--------------	-----------------------

Item # : <b>49</b>	Description: <b>Cornice #2</b>
--------------------	--------------------------------



<b>Office Use Only</b>	DELIVER _____ PICKUP _____ INSTALL _____
Gauge Used: _____ Colour: _____ Stretch Out: _____ Shop Time: _____	



The Professionals Choice

South Island Call: 250-652-5523  
 South Island Fax: 250-652-5169

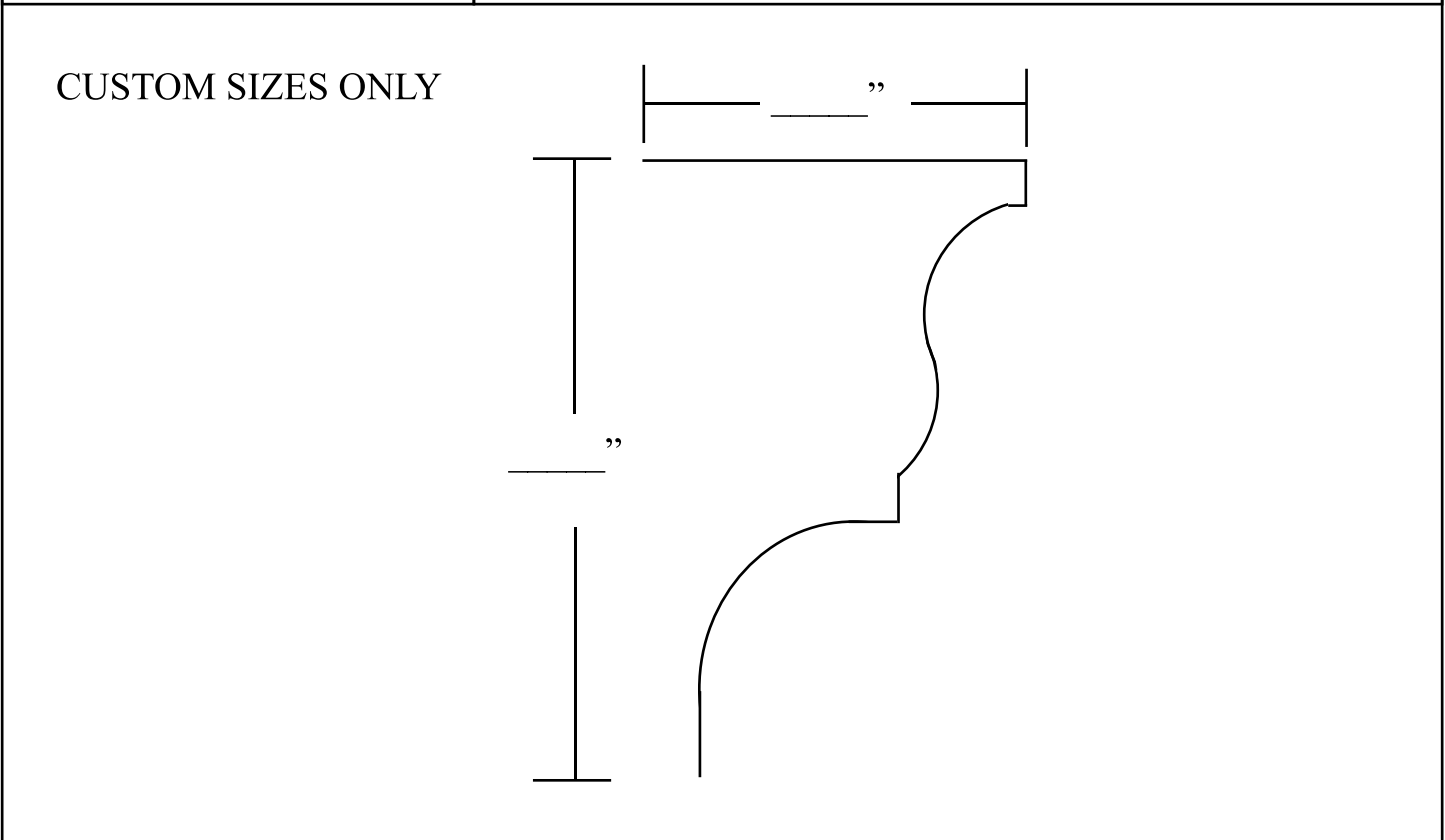
Cowichan Valley Call: 250-929-1110  
 Cowichan Valley Fax: 250-929-1111

### CORNICE STYLE 3

FROM: _____		Email: _____
PURCHASE ORDER #: _____	ATTN: _____	
CUST. / JOB NAME: _____	ORDERED BY: _____	
ORDER DATE: _____	SENDER PHONE #: _____	
DATE REQUIRED: _____	SENDER FAX #: _____	

MATERIAL / COLOR: _____	GAUGE: _____	LINEAR FOOTAGE: _____
-------------------------	--------------	-----------------------

Item # : <b>50</b>	Description: <b>Cornice #3</b>
--------------------	--------------------------------



<b>Office Use Only</b>	DELIVER _____ PICKUP _____ INSTALL _____
Gauge Used: _____ Colour: _____ Stretch Out: _____ Shop Time: _____	



The Professionals Choice

South Island Call: 250-652-5523  
 South Island Fax: 250-652-5169

Cowichan Valley Call: 250-929-1110  
 Cowichan Valley Fax: 250-929-1111

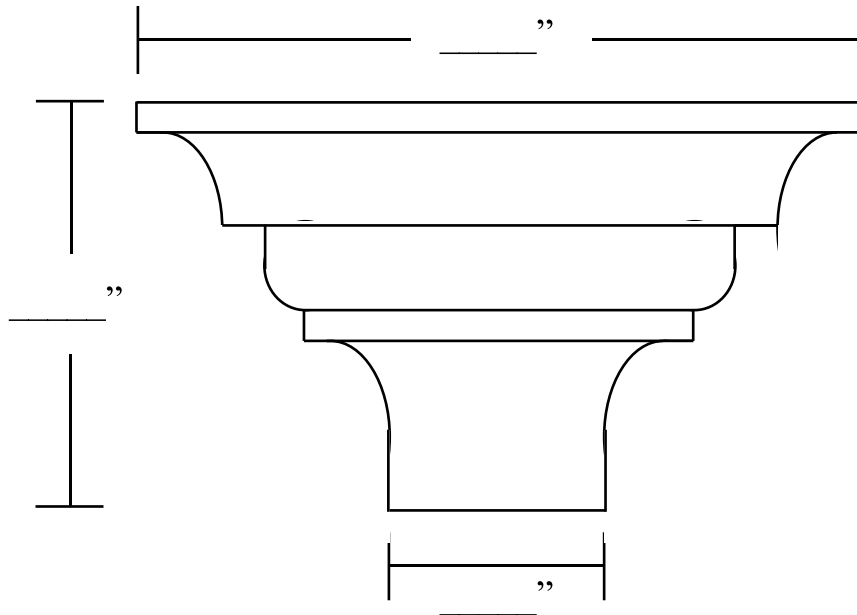
### CONDUCTOR HEAD

FROM: _____		Email: _____	
PURCHASE ORDER #: _____		ATTN: _____	
CUST. / JOB NAME: _____		ORDERED BY: _____	
ORDER DATE: _____		SENDER PHONE #: _____	
DATE REQUIRED: _____		SENDER FAX #: _____	

MATERIAL / COLOR: _____	GAUGE: _____	QUANTITY: _____
-------------------------	--------------	-----------------

Item # : <b>51</b>	Description: <b>Conductor Head</b>
--------------------	------------------------------------

CUSTOM SIZES ONLY



<b>Office Use Only</b>	DELIVER _____ PICKUP _____ INSTALL _____
Gauge Used: _____ Colour: _____ Stretch Out: _____ Shop Time: _____	



The Professionals Choice

South Island Call: 250-652-5523  
 South Island Fax: 250-652-5169

Cowichan Valley Call: 250-929-1110  
 Cowichan Valley Fax: 250-929-1111

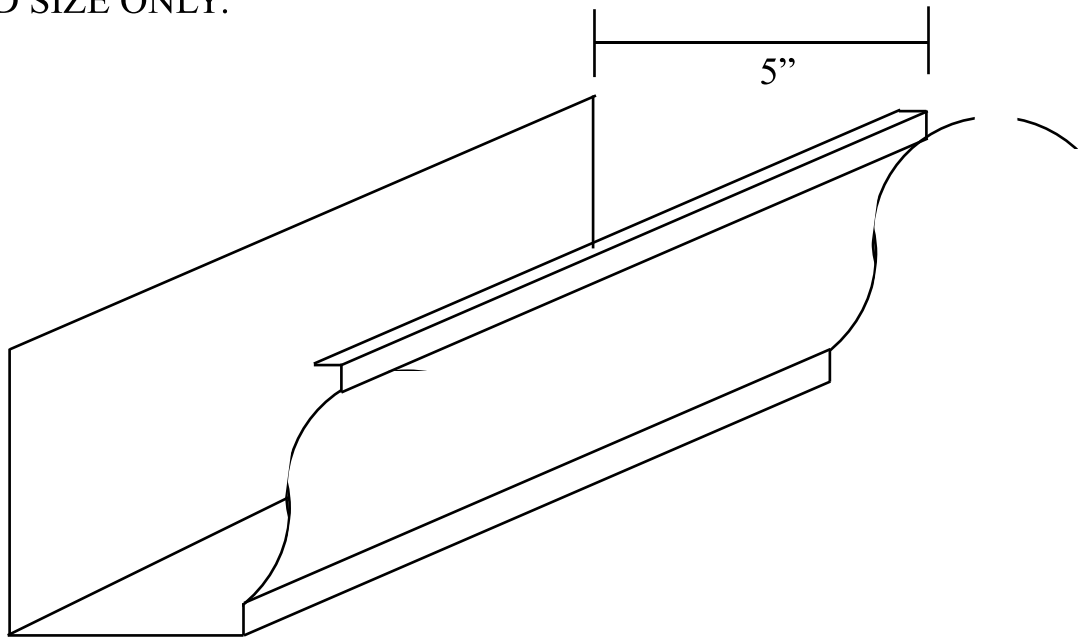
**CONTINUOUS ROLL FORM GUTTER**

<b>FROM:</b> _____		<b>Email:</b> _____	
<b>PURCHASE ORDER #:</b> _____		<b>ATTN:</b> _____	
<b>CUST. / JOB NAME:</b> _____		<b>ORDERED BY:</b> _____	
<b>ORDER DATE:</b> _____		<b>SENDER PHONE #:</b> _____	
<b>DATE REQUIRED:</b> _____		<b>SENDER FAX #:</b> _____	

<b>MATERIAL / COLOR:</b> _____	<b>GAUGE:</b> _____	<b>LINEAR FOOTAGE:</b> _____
--------------------------------	---------------------	------------------------------

Item # : <b>52</b>	<b>Continuous Roll Form Gutter</b>
--------------------	------------------------------------

STANDARD SIZE ONLY:



*Available in Copper only*

**Office Use Only**

DELIVER \_\_\_\_\_ PICKUP \_\_\_\_\_ INSTALL \_\_\_\_\_

Gauge Used: \_\_\_\_\_ Colour: \_\_\_\_\_ Stretch Out: \_\_\_\_\_ Shop Time: \_\_\_\_\_



The Professionals Choice

South Island Call: 250-652-5523  
 South Island Fax: 250-652-5169

Cowichan Valley Call: 250-929-1110  
 Cowichan Valley Fax: 250-929-1111

# COPPER GUTTER

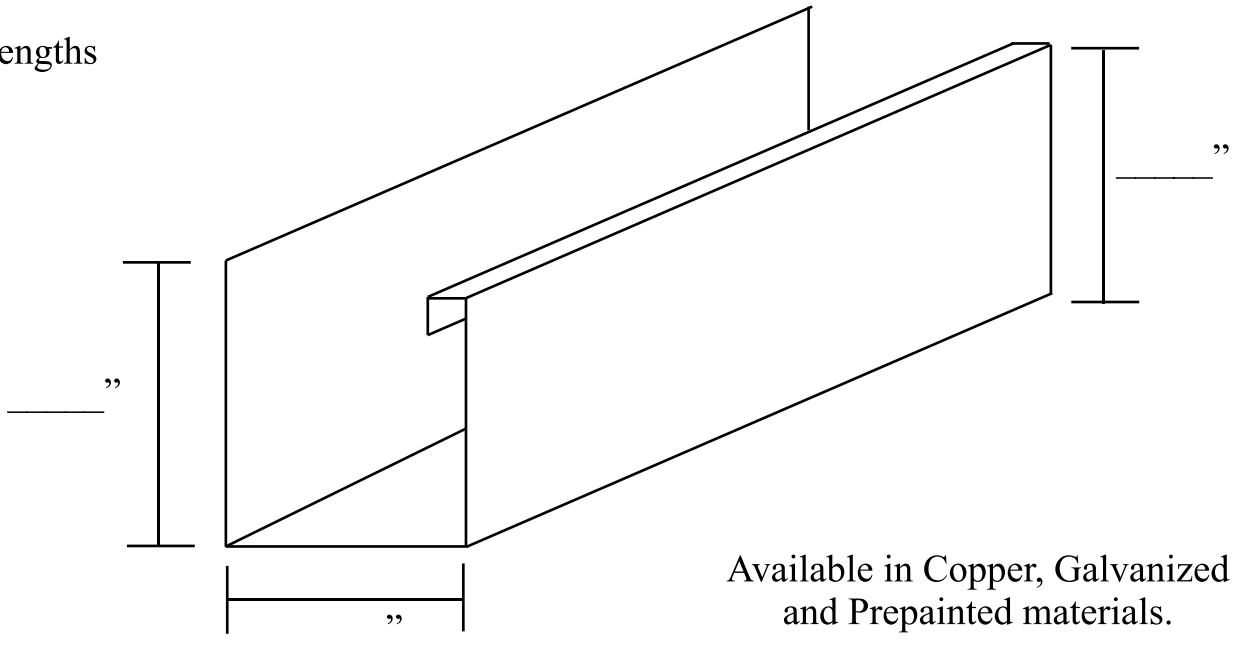
FROM: _____		Email: _____
PURCHASE ORDER #: _____		ATTN: _____
CUST. / JOB NAME: _____		ORDERED BY: _____
ORDER DATE: _____		SENDER PHONE #: _____
DATE REQUIRED: _____		SENDER FAX #: _____

MATERIAL / COLOR: _____ Copper _____	GAUGE: _____	LINEAR FOOTAGE: _____
--------------------------------------	--------------	-----------------------

Item # : <b>53</b>	<b>COPPER GUTTER</b>
--------------------	----------------------

CUSTOM SIZES ONLY

In 10' Lengths



Available in Copper, Galvanized and Prepainted materials.

<b>Office Use Only</b>	DELIVER _____ PICKUP _____ INSTALL _____
Gauge Used: _____ Colour: _____ Stretch Out: _____ Shop Time: _____	



The Professionals Choice

South Island Call: 250-652-5523  
 South Island Fax: 250-652-5169

Cowichan Valley Call: 250-929-1110  
 Cowichan Valley Fax: 250-929-1111

## CUSTOM COPPER DOWNSPOUT

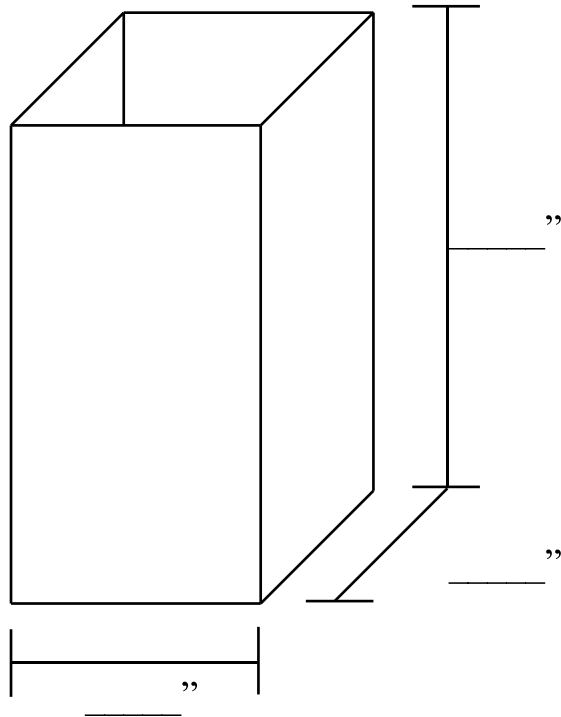
FROM: _____		Email: _____	
PURCHASE ORDER #: _____		ATTN: _____	
CUST. / JOB NAME: _____		ORDERED BY: _____	
ORDER DATE: _____		SENDER PHONE #: _____	
DATE REQUIRED: _____		SENDER FAX #: _____	

MATERIAL / COLOR: _____ Copper _____	GAUGE: _____	LINEAR FOOTAGE: _____
--------------------------------------	--------------	-----------------------

Item #: <b>53A</b>	<b>CUSTOM COPPER DOWNSPOUT</b>
--------------------	--------------------------------

CUSTOM SIZES ONLY

Also available in  
Galvanized and  
Prepainted materials.



<b>Office Use Only</b>		DELIVER _____	PICKUP _____	INSTALL _____
Gauge Used: _____	Colour: _____	Stretch Out: _____	Shop Time: _____	



The Professionals Choice

South Island Call: 250-652-5523  
 South Island Fax: 250-652-5169

Cowichan Valley Call: 250-929-1110  
 Cowichan Valley Fax: 250-929-1111

## CUPOLA (HIP STYLE)

FROM: _____		Email: _____	
PURCHASE ORDER #: _____		ATTN: _____	
CUST. / JOB NAME: _____		ORDERED BY: _____	
ORDER DATE: _____		SENDER PHONE #: _____	
DATE REQUIRED: _____		SENDER FAX #: _____	

MATERIAL / COLOR: _____	GAUGE: _____	QUANTITY: _____
-------------------------	--------------	-----------------

Item # : <b>54</b>	Description: <b>Cupola (Hip Style)</b>
--------------------	--

**CUSTOM SIZES ONLY**

This is an example of one style only.  
 Cupolas are custom made to your exact specifications and design needs.

Please contact us for ordering.



<b>Office Use Only</b>		DELIVER _____	PICKUP _____	INSTALL _____
Gauge Used: _____	Colour: _____	Stretch Out: _____	Shop Time: _____	





The Professionals Choice

South Island Call: 250-652-5523  
South Island Fax: 250-652-5169

Cowichan Valley Call: 250-929-1110  
Cowichan Valley Fax: 250-929-1111

### CUPOLA CONCAVE HIP STYLE

<b>FROM:</b> _____		<b>Email:</b> _____
<b>PURCHASE ORDER #:</b> _____	<b>ATTN:</b> _____	
<b>CUST. / JOB NAME:</b> _____	<b>ORDERED BY:</b> _____	
<b>ORDER DATE:</b> _____	<b>SENDER PHONE #:</b> _____	
<b>DATE REQUIRED:</b> _____	<b>SENDER FAX #:</b> _____	

<i>MATERIAL / COLOR:</i> _____	<i>GAUGE:</i> _____	<i>QUANTITY:</i> _____
--------------------------------	---------------------	------------------------

<b>Item # : 55</b>	<b>CUPOLA CONCAVE HIP STYLE</b>
--------------------	---------------------------------

#### CUSTOM SIZES ONLY

This is an example of one style only.  
Cupolas are custom made to your exact specifications and design needs.

Please contact us for ordering.





The Professionals Choice

South Island Call: 250-652-5523  
 South Island Fax: 250-652-5169

Cowichan Valley Call: 250-929-1110  
 Cowichan Valley Fax: 250-929-1111

# FINIAL STYLE 1

FROM: _____		Email: _____	
PURCHASE ORDER #: _____		ATTN: _____	
CUST. / JOB NAME: _____		ORDERED BY: _____	
ORDER DATE: _____		SENDER PHONE #: _____	
DATE REQUIRED: _____		SENDER FAX #: _____	

MATERIAL / COLOR: _____	GAUGE: _____	QUANTITY: _____
-------------------------	--------------	-----------------

Item # : <b>56</b>	<b>FINIAL STYLE 1</b>
--------------------	-----------------------

CUSTOM SIZES ONLY

*Best in Copper!*

This is an example of one style only.  
 Finials are custom made to your exact specifications and design needs.

Please contact us for ordering.



<b>Office Use Only</b>	DELIVER _____	PICKUP _____	INSTALL _____
Gauge Used: _____	Colour: _____	Stretch Out: _____	Shop Time: _____



The Professionals Choice

South Island Call: 250-652-5523  
 South Island Fax: 250-652-5169

Cowichan Valley Call: 250-929-1110  
 Cowichan Valley Fax: 250-929-1111

## FINIAL STYLE 2

<b>FROM:</b> _____		<b>Email:</b> _____
<b>PURCHASE ORDER #:</b> _____	<b>ATTN:</b> _____	
<b>CUST. / JOB NAME:</b> _____	<b>ORDERED BY:</b> _____	
<b>ORDER DATE:</b> _____	<b>SENDER PHONE #:</b> _____	
<b>DATE REQUIRED:</b> _____	<b>SENDER FAX #:</b> _____	

<b>MATERIAL / COLOR:</b> _____	<b>GAUGE:</b> _____	<b>QUANTITY:</b> _____
--------------------------------	---------------------	------------------------

<b>Item # : 57</b>	<b>Description: Finial #2</b>
--------------------	-------------------------------

**CUSTOM SIZES ONLY**

This is an example of one style only.  
 Finials are custom made to your exact specifications and design needs.

Please contact us for ordering.



<b>Office Use Only</b>	DELIVER _____ PICKUP _____ INSTALL _____
Gauge Used: _____ Colour: _____ Stretch Out: _____ Shop Time: _____	



*THE PROFESSIONALS CHOICE*

# *Standard and Custom Perforated Aluminum*

[www.ravenmetal.ca](http://www.ravenmetal.ca)

1356 Ball Road, Cobble Hill BC      Toll Free in BC: 1-888-552-5523  
From Victoria Call: 250-652-5523      Fax: 250-652-5169      From Duncan Call: 250-929-1110      Fax: 250-929-1111



The Professionals Choice

South Island Call: 250-652-5523  
 South Island Fax: 250-652-5169

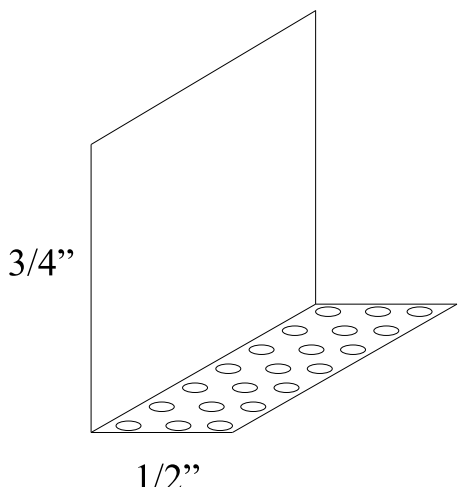
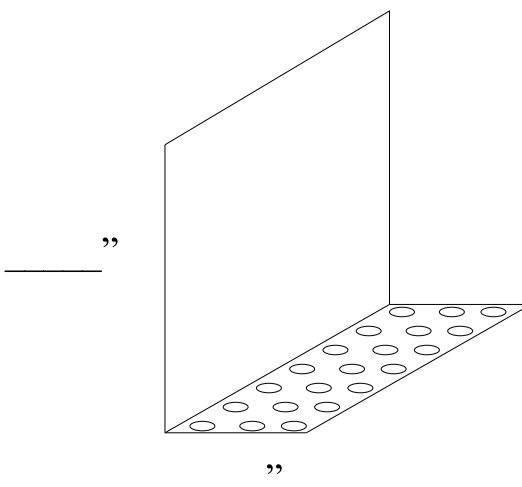
Cowichan Valley Call: 250-929-1110  
 Cowichan Valley Fax: 250-929-1111

### PERFORATED ALUMINUM L-MOULD

<b>FROM:</b> _____	<b>Email:</b> _____
<b>PURCHASE ORDER #:</b> _____	<b>ATTN:</b> _____
<b>CUST. / JOB NAME:</b> _____	<b>ORDERED BY:</b> _____
<b>ORDER DATE:</b> _____	<b>SENDER PHONE #:</b> _____
<b>DATE REQUIRED:</b> _____	<b>SENDER FAX #:</b> _____

<i>MATERIAL / COLOR:</i> Perforated	<i>GAUGE:</i> _____	<i>LINEAR FOOTAGE:</i> _____
-------------------------------------	---------------------	------------------------------

Item # : <b>44</b>	<b>PERFORATED ALUMINUM L-MOULD</b>
--------------------	------------------------------------

<p>STANDARD <input type="checkbox"/></p>  <p style="text-align: center;">3/4"</p> <p style="text-align: center;">1/2"</p>	<p>CUSTOM <input type="checkbox"/></p>  <p style="text-align: center;">"</p> <p style="text-align: center;">"</p>
--	---

<b>Office Use Only</b>	DELIVER _____ PICKUP _____ INSTALL _____
Gauge Used: _____ Colour: _____ Stretch Out: _____ Shop Time: _____	



The Professionals Choice

South Island Call: 250-652-5523  
 South Island Fax: 250-652-5169

Cowichan Valley Call: 250-929-1110  
 Cowichan Valley Fax: 250-929-1111

## PERFORATED ALUMINUM J-MOULD

FROM: _____		Email: _____	
PURCHASE ORDER #: _____		ATTN: _____	
CUST. / JOB NAME: _____		ORDERED BY: _____	
ORDER DATE: _____		SENDER PHONE #: _____	
DATE REQUIRED: _____		SENDER FAX #: _____	

MATERIAL / COLOR: _____ Perforated _____	GAUGE: _____	LINEAR FOOTAGE: _____
--	--------------	-----------------------

Item # : <b>10</b>	<b>PERFORATED ALUMINUM J-MOULD</b>
--------------------	------------------------------------

STANDARD <input type="checkbox"/> 	CUSTOM <input type="checkbox"/> 
---------------------------------------	-------------------------------------

<b>Office Use Only</b>	DELIVER _____ PICKUP _____ INSTALL _____
Gauge Used: _____ Colour: _____ Stretch Out: _____ Shop Time: _____	



The Professionals Choice

South Island Call: 250-652-5523  
 South Island Fax: 250-652-5169

Cowichan Valley Call: 250-929-1110  
 Cowichan Valley Fax: 250-929-1111

# SOFFIT VENT STRIP

FROM: _____		Email: _____	
PURCHASE ORDER #: _____		ATTN: _____	
CUST. / JOB NAME: _____		ORDERED BY: _____	
ORDER DATE: _____		SENDER PHONE #: _____	
DATE REQUIRED: _____		SENDER FAX #: _____	

MATERIAL / COLOR: Perforated	GAUGE: _____	LINEAR FOOTAGE: _____
------------------------------	--------------	-----------------------

Item # : 45	<b>SOFFIT VENT STRIP</b>
-------------	--------------------------

STANDARD <input type="checkbox"/>  	CUSTOM <input type="checkbox"/>  
---	---

<b>Office Use Only</b>		DELIVER _____ PICKUP _____ INSTALL _____	
Gauge Used: _____	Colour: _____	Stretch Out: _____	Shop Time: _____



The Professionals Choice

South Island Call: 250-652-5523  
South Island Fax: 250-652-5169

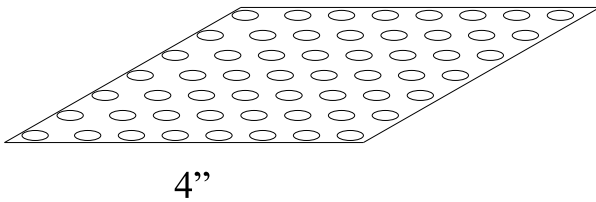
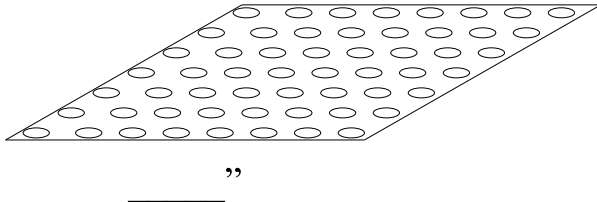
Cowichan Valley Call: 250-929-1110  
Cowichan Valley Fax: 250-929-1111

# FLAT VENT STRIP

<b>FROM:</b> _____		<b>Email:</b> _____	
<b>PURCHASE ORDER #:</b> _____		<b>ATTN:</b> _____	
<b>CUST. / JOB NAME:</b> _____		<b>ORDERED BY:</b> _____	
<b>ORDER DATE:</b> _____		<b>SENDER PHONE #:</b> _____	
<b>DATE REQUIRED:</b> _____		<b>SENDER FAX #:</b> _____	

<b>MATERIAL / COLOR:</b> Perforated .	<b>GAUGE:</b> _____	<b>LINEAR FOOTAGE:</b> _____
---------------------------------------	---------------------	------------------------------

<b>Item # : 46</b>	<b>FLAT VENT STRIP</b>
--------------------	------------------------

<b>STANDARD</b> <input type="checkbox"/>   <b>4"</b>	<b>CUSTOM</b> <input type="checkbox"/>   <b>"</b>
--	--

<b>Office Use Only</b>	DELIVER _____ PICKUP _____ INSTALL _____
Gauge Used: _____ Colour: _____ Stretch Out: _____ Shop Time: _____	