

THE PROFESSIONALS CHOICE



***Architectural Sheet Metal
Building Products
2019***

www.ravenmetal.ca

1356 Ball Road, Cobble Hill, BC Toll Free in British Columbia 1-888-552-5523
South Island Call: 250-652-5523 Fax: 250-652-5169
From Cowichan Call: 250-929-1110 Fax: 250-929-1111
Serving Vancouver Island and the Lower Mainland since 1998



How to Use this Catalog

1. Determine which product(s) you would like to order.
2. Make a photocopy of the page which has your desired product on it.
3. Fill in all necessary details. Check the appropriate boxes next to what you would like.

Don't forget to identify ALL measurements and angles.

Your order can not be processed without these details.

4. If ordering multiple items, use our "Multiple Item Order Form" (found on page 7).
5. If you don't see what you would like, draw it for us on page 9 under "Customer Choice".
6. Fax the page to us at 250-652-5169 or 250-929-1111

Other helpful items Included in this book

Table of Contents

To find the item you want quickly

Gauge to Decimal Chart

This conversion chart lists the decimal equivalent for 14 to 30 gauge materials.

Color / Material Selection

A list of all the colors and types of materials that we keep in stock at all times. If you don't find what you would like on this page, ask us and we will do our best to get it for you.

Multiple Item Order Form

If you have multiple items to order, you can use this form to make your ordering easier.

Be sure to fill out ALL details here, this is important to your order.

Material details and quantity / lineal feet desired

Item Number and Name

Chose Standard or Custom profile

Item profile

CUSTOMER ORDER FORM		
Phone: 652-5523		Fax: 652-5169
FROM: _____		
PURCHASE ORDER #: _____	ATTN: _____	
CUST. / JOB NAME: _____	ORDERED BY: _____	
ORDER DATE: _____	SENDER PHONE #: _____	
DATE REQUIRED: _____	SENDER FAX #: _____	
MATERIAL / COLOR: _____	GAUGE: _____	LINEAL FOOTAGE: _____
Item # : 1	Description: Valley Flashing	
STANDARD – 18" Valley	<input type="checkbox"/>	CUSTOM <input type="checkbox"/>
STANDARD – 24" Valley	<input type="checkbox"/>	
SAMPLE		
Notes: _____		Sold By: _____
Printed Aug 2001		

***PRODUCTS LISTED ARE AVAILABLE IN ALL MATERIALS AND COLORS
UNLESS OTHERWISE SPECIFIED***

www.ravenmetal.ca

PAGE 2

1356 Ball Road, Cobble Hill BC
From Victoria Call: 250-652-5523 Fax: 250-652-5169

Toll Free in BC: 1-888-552-5523
From Duncan Call: 250-929-1110 Fax: 250-929-1111



THE PROFESSIONALS CHOICE

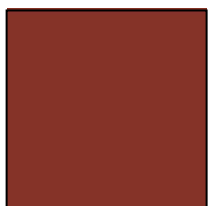
Gauge to Decimal Conversion

Gauge		Decimal Equivalent	Lbs. / Sq. Ft.	
Thin	30	0.0157	0.656	
	28	0.0187	0.781	
	26	0.0217	0.906	
	24	0.0276	1.156	
	22	0.0336	1.406	
	20	0.0396	1.656	
	18	0.0516	2.156	
	16	0.0635	2.656	
	Thick	14	0.0785	3.281

WHITES AND COLOURS

SMP - SDP - RP: Whites and Colours
Silicon Modified Polyester - Super Durable Polyester - Regular Polyester

					
<i>Antique Linen</i> SRI 77	<i>Bone White</i> SRI 67	<i>VSM White</i> SRI 78	<i>Brite White</i> SRI 78	<i>Cambridge White</i> SRI 80	<i>VSM Cashmere</i> SRI 75
					
<i>White White</i> SRI 75	<i>Surf White</i> SRI 59	<i>Pebblestone</i> SRI 37	<i>Regent Grey</i> SRI 35	<i>Stone Grey</i> SRI 52	<i>Sapphire Blue</i> SRI 48
					
<i>Tan</i> SRI 45	<i>Briarwood Tan</i> SRI 56	<i>VSM Wicker</i> SRI 62	<i>Brite Red</i> SRI 36	<i>Pacific Torquoise</i> SRI 38	<i>Forest Green</i> SRI 37




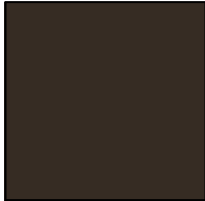






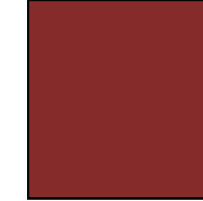


Tile Red
SRI 42

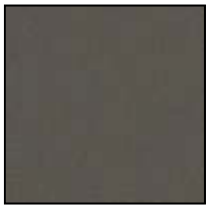
PLEASE NOTE

While every effort is made to try and duplicate exact colors printers are simply not capable of being truly exact. If you are unsure of the colour(s), please ask for a metal sample before ordering.

SMP - SDP - RP: Dark Colours DARK COLOURS
Silicone Modified Polyester - Super Durable Polyester

					
<i>Charcoal Grey</i> SRI 28	<i>Coffee Brown</i> SRI 16	<i>Dark Brown</i> SRI 12	<i>Metro Brown</i> SRI 12	<i>Weathered Copper</i> SRI 24	<i>Slate Blue</i> SRI 25
					
<i>Melchers Green</i> SRI 15	<i>Royal Blue</i> SRI 22	<i>Heron Blue</i> SRI 13	<i>Labrador Blue</i> SRI 13	<i>Dark Red</i> SRI 28	

DARK COLOURS..... continued



Weathered Zinc
SRI 19



Black
SRI 3



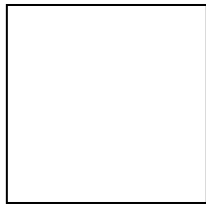
Silver Metallic
SRI 59

SMP:
Metallics Silicon Modified Polyester
Silver Metallic exceeds current LEED® SRI requirements on steep slope roofs (over 2:12)

Protective Coating

A removable Protective Coating is available on Pre-Painted Products supplied by Varsteel Specialty Metals Metals. A 2 mil. Polyethylene Tape with Acrylic Adhesive is directly applied on our processing lines ensuring a smooth and constant application.

PVDF: Whites and Colours - 70% Fluoropolymer - Polyvinylidene Flouride (PVDF) Resin



Regal White
SRI 82



Sandstone
SRI 63



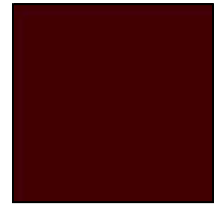
Regal Blue
SRI 31



Slate Grey
SRI 47



Medium Bronze
SRI 31



Colonial Red
SRI 34

These colours (above and beside) meet or exceed current LEED SRI requirements on steep slope roofs (over 2:12).

PLEASE NOTE

While every effort is made to try and duplicate exact colors printers are simply not capable of being truly exact. If you are unsure of the colour(s), please ask for a metal sample before ordering.



Charcoal Grey
SRI 32

PVDF: Dark Colours - 70% Fluoropolymer - Polyvinylidene Flouride (PVDF) Resin



Dark Bronze
SRI 24

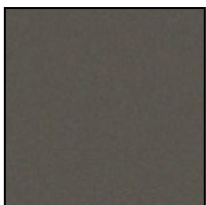


Hartford Green
SRI 23



Matte Black
SRI 24

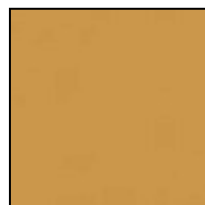
PVDF: Metallics - 70% Fluoropolymer - Polyvinylidene Flouride (PVDF) Resin



Weathered Zinc
SRI 33



Silver Metallic
SRI 68



Copper Penny
SRI 43



THE PROFESSIONALS CHOICE

Standard and Custom Vents and Louvers

www.ravenmetal.ca

1356 Ball Road, Cobble Hill BC Toll Free in BC: 1-888-552-5523
From Victoria Call: 250-652-5523 Fax: 250-652-5169 From Duncan Call: 250-929-1110 Fax: 250-929-1111



CUSTOMER ORDER FORM - Apartment Vent w/1/4" Screen

From Victoria Phone: 250-652-5523 From Victoria Fax: 250-652-5169
 From Duncan Phone: 250-929-1110 From Duncan Fax: 250-929-1111

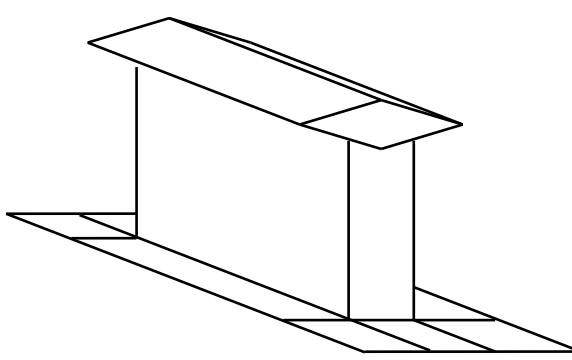
FROM: _____		Email: _____	
PURCHASE ORDER #: _____		ATTN: _____	
CUST. / JOB NAME: _____		ORDERED BY: _____	
ORDER DATE: _____		SENDER PHONE #: _____	
DATE REQUIRED: _____		SENDER FAX #: _____	

MATERIAL / COLOR: <u>Galvanized</u>	GAUGE: <u>26</u>	QUANTITY: _____
--	-------------------------	------------------------

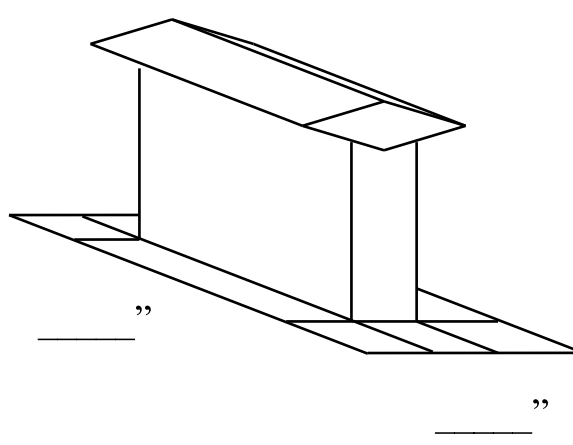
Item # : 31	Apartment Vent w/1/4 inch screen
--------------------	----------------------------------

STANDARD SIZE:

4 1/2" x 13"



CUSTOM



Special Instructions	DELIVER _____ PICKUP _____ INSTALL _____
----------------------	--




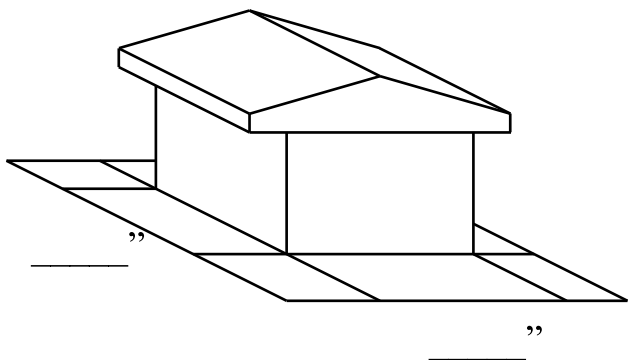
CUSTOMER ORDER FORM - Commercial Vent with 1/4" Screen

From Victoria Phone: 250-652-5523 From Victoria Fax: 250-652-5169
 From Duncan Phone: 250-929-1110 From Duncan Fax: 250-929-1111

FROM: _____	Email: _____
PURCHASE ORDER #: _____	ATTN: _____
CUST. / JOB NAME: _____	ORDERED BY: _____
ORDER DATE: _____	SENDER PHONE #: _____
DATE REQUIRED: _____	SENDER FAX #: _____

MATERIAL / COLOR: _____ Galvanized _____	GAUGE: _____ 26 _____	QUANTITY: _____
---	------------------------------	------------------------

Item # : 32	Commercial Vent w/1/4 inch screen
--------------------	--

<p>STANDARD SIZE:</p> <p>12" x 12" <input type="checkbox"/></p> 	<p>CUSTOM <input type="checkbox"/></p> 
--	--

Special Instructions	DELIVER _____ PICKUP _____ INSTALL _____
----------------------	--



The Professionals Choice


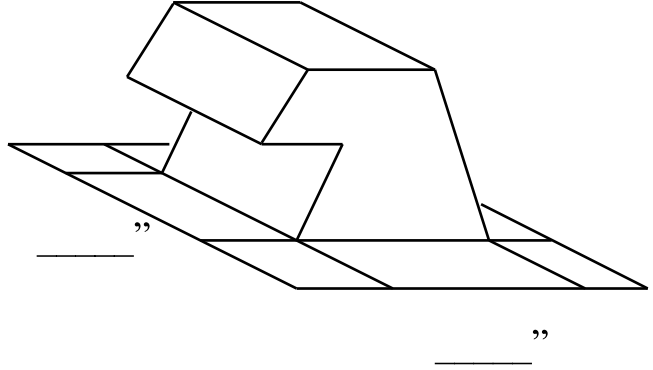
CUSTOMER ORDER FORM - Gooseneck Roof Vent w/ 1/4" Screen

From Victoria Phone: 250-652-5523 From Victoria Fax: 250-652-5169
 From Duncan Phone: 250-929-1110 From Duncan Fax: 250-929-1111

FROM: _____	Email: _____
PURCHASE ORDER #: _____	ATTN: _____
CUST. / JOB NAME: _____	ORDERED BY: _____
ORDER DATE: _____	SENDER PHONE #: _____
DATE REQUIRED: _____	SENDER FAX #: _____

MATERIAL / COLOR: _____ Galvanized _____	GAUGE: _____ 26 _____	QUANTITY: _____
---	------------------------------	------------------------

Item # : 33	Gooseneck Roof Vent with 1/4 inch screen
--------------------	---

<p>STANDARD SIZE:</p> <p>10 1/2" x 8" <input type="checkbox"/></p> <div style="text-align: center; margin-top: 20px;">  </div>	<p>CUSTOM <input type="checkbox"/></p> <div style="text-align: center; margin-top: 20px;">  </div>
--	---

Special Instructions	DELIVER _____ PICKUP _____ INSTALL _____
----------------------	--



The Professionals Choice

CUSTOMER ORDER FORM - Wall Vent Rectangle

From Victoria Phone: 250-652-5523 From Victoria Fax: 250-652-5169
 From Duncan Phone: 250-929-1110 From Duncan Fax: 250-929-1111

FROM: _____		Email: _____
PURCHASE ORDER #: _____	ATTN: _____	
CUST. / JOB NAME: _____	ORDERED BY: _____	
ORDER DATE: _____	SENDER PHONE #: _____	
DATE REQUIRED: _____	SENDER FAX #: _____	

<i>MATERIAL / COLOR:</i> _____	<i>GAUGE:</i> _____	<i>QUANTITY:</i> _____
--------------------------------	---------------------	------------------------

Item # : 34	Rectangular Wall Vent
--------------------	------------------------------

STANDARD SIZE:

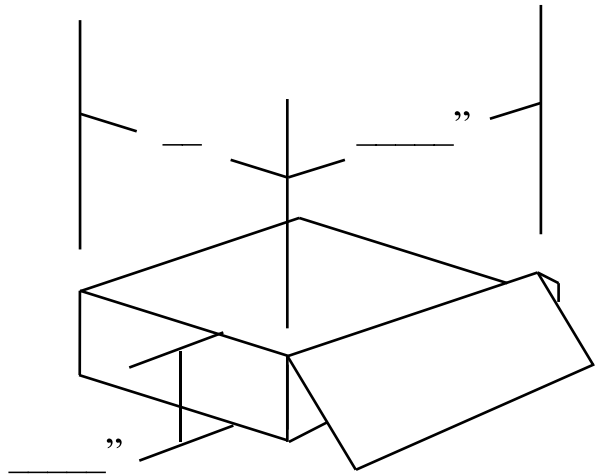
1/4" Screen

Damper



CUSTOM 1/4" Screen

Damper



Special Instructions _____

DELIVER _____ PICKUP _____ INSTALL _____



The Professionals Choice

CUSTOMER ORDER FORM - Wall Vent

From Victoria Phone: 250-652-5523 From Victoria Fax: 250-652-5169
 From Duncan Phone: 250-929-1110 From Duncan Fax: 250-929-1111

FROM: _____		Email: _____	
PURCHASE ORDER #: _____		ATTN: _____	
CUST. / JOB NAME: _____		ORDERED BY: _____	
ORDER DATE: _____		SENDER PHONE #: _____	
DATE REQUIRED: _____		SENDER FAX #: _____	

MATERIAL / COLOR: _____	GAUGE: _____	QUANTITY: _____
-------------------------	--------------	-----------------

Item #: 35	Description: Wall Vent
-------------------	-------------------------------

<p>STANDARD SIZES:</p> <p><u>Pipe x Length</u></p> <p>3" Pipe x 8" <input type="checkbox"/></p> <p>4" Pipe x 8" <input type="checkbox"/></p> <p>5" Pipe x 8" <input type="checkbox"/></p> <p>6" Pipe x 8" <input type="checkbox"/></p> <p style="margin-left: 150px;">1/4" Screen Damper <input type="checkbox"/></p>	<p>CUSTOM <input type="checkbox"/></p> <p>_____ " Pipe Diam. <input type="checkbox"/></p> <p>_____ " Pipe Length <input type="checkbox"/></p> <p style="margin-left: 150px;">1/4" Screen Damper <input type="checkbox"/></p>
--	---

Special Instructions	DELIVER _____ PICKUP _____ INSTALL _____
----------------------	--



The Professionals Choice

CUSTOMER ORDER FORM - EXHAUST VENTS

From Victoria Phone: 250-652-5523 From Victoria Fax: 250-652-5169
 From Duncan Phone: 250-929-1110 From Duncan Fax: 250-929-1111

FROM: _____		Email: _____	
PURCHASE ORDER #: _____		ATTN: _____	
CUST. / JOB NAME: _____		ORDERED BY: _____	
ORDER DATE: _____		SENDER PHONE #: _____	
DATE REQUIRED: _____		SENDER FAX #: _____	

<i>MATERIAL / COLOR:</i> _____	<i>GAUGE:</i> _____	<i>QUANTITY:</i> _____
--------------------------------	---------------------	------------------------

Item #: 36	Description: Exhaust Vent
-------------------	----------------------------------

<p>STANDARD SIZES:</p> <table style="width:100%;"> <tr> <td style="text-align: center;"><u>Pipe x Length</u></td> <td style="text-align: center;">Optional</td> </tr> <tr> <td>3" Pipe x 8" <input type="checkbox"/></td> <td>1/4" Screen <input type="checkbox"/></td> </tr> <tr> <td>4" Pipe x 8" <input type="checkbox"/></td> <td></td> </tr> <tr> <td>5" Pipe x 8" <input type="checkbox"/></td> <td></td> </tr> <tr> <td>6" Pipe x 8" <input type="checkbox"/></td> <td></td> </tr> </table> <div style="text-align: center; margin-top: 20px;"> </div>	<u>Pipe x Length</u>	Optional	3" Pipe x 8" <input type="checkbox"/>	1/4" Screen <input type="checkbox"/>	4" Pipe x 8" <input type="checkbox"/>		5" Pipe x 8" <input type="checkbox"/>		6" Pipe x 8" <input type="checkbox"/>		<p>CUSTOM</p> <table style="width:100%;"> <tr> <td style="text-align: center;">Optional</td> </tr> <tr> <td>_____ " Pipe Diam. <input type="checkbox"/></td> </tr> <tr> <td>_____ " Pipe Length <input type="checkbox"/></td> </tr> <tr> <td>1/4" Screen <input type="checkbox"/></td> </tr> </table> <div style="text-align: center; margin-top: 20px;"> </div>	Optional	_____ " Pipe Diam. <input type="checkbox"/>	_____ " Pipe Length <input type="checkbox"/>	1/4" Screen <input type="checkbox"/>
<u>Pipe x Length</u>	Optional														
3" Pipe x 8" <input type="checkbox"/>	1/4" Screen <input type="checkbox"/>														
4" Pipe x 8" <input type="checkbox"/>															
5" Pipe x 8" <input type="checkbox"/>															
6" Pipe x 8" <input type="checkbox"/>															
Optional															
_____ " Pipe Diam. <input type="checkbox"/>															
_____ " Pipe Length <input type="checkbox"/>															
1/4" Screen <input type="checkbox"/>															

Special Instructions	DELIVER _____ PICKUP _____ INSTALL _____
----------------------	--



The Professionals Choice

CUSTOMER ORDER FORM - Mach 4 Standard Vent

From Victoria Phone: 250-652-5523 From Victoria Fax: 250-652-5169
 From Duncan Phone: 250-929-1110 From Duncan Fax: 250-929-1111

FROM: _____		Email: _____	
PURCHASE ORDER #: _____		ATTN: _____	
CUST. / JOB NAME: _____		ORDERED BY: _____	
ORDER DATE: _____		SENDER PHONE #: _____	
DATE REQUIRED: _____		SENDER FAX #: _____	

MATERIAL / COLOR: _____	GAUGE: <u>26</u>	QUANTITY: _____
--------------------------------	-------------------------	------------------------

Item # : 63	Mach 4 Standard Vent
--------------------	-----------------------------

STANDARD:

CUSTOM SIZE – NEXT PAGE

1/4" Screen

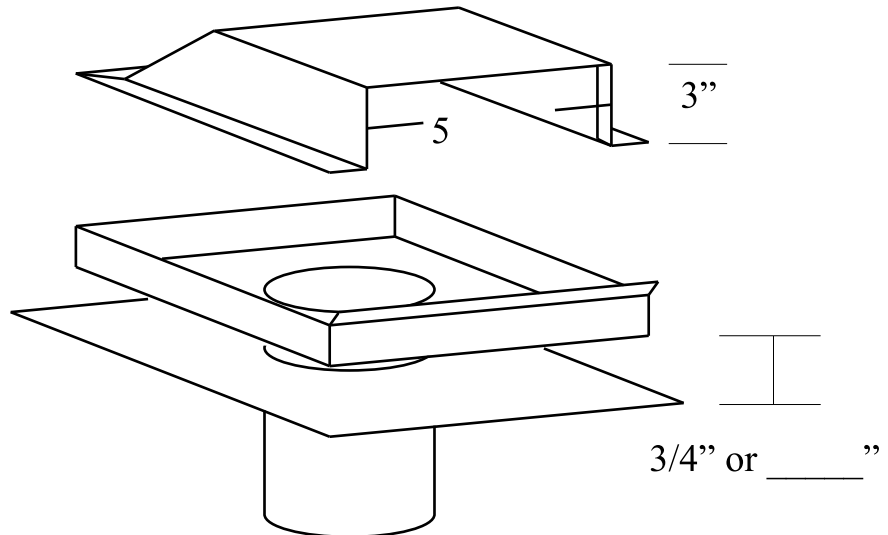
Damper

Base = 8" x 7 3/4"

Pipe x Length

4" Pipe x _____"

5" Pipe x _____"



Special Instructions _____ DELIVER _____ PICKUP _____ INSTALL _____



CUSTOMER ORDER FORM - Mach 4 Custom Vent

From Victoria Phone: 250-652-5523 From Victoria Fax: 250-652-5169
 From Duncan Phone: 250-929-1110 From Duncan Fax: 250-929-1111

FROM: _____		Email: _____
PURCHASE ORDER #: _____	ATTN: _____	
CUST. / JOB NAME: _____	ORDERED BY: _____	
ORDER DATE: _____	SENDER PHONE #: _____	
DATE REQUIRED: _____	SENDER FAX #: _____	

MATERIAL / COLOR: _____	GAUGE: _____	QUANTITY: _____
--------------------------------	---------------------	------------------------

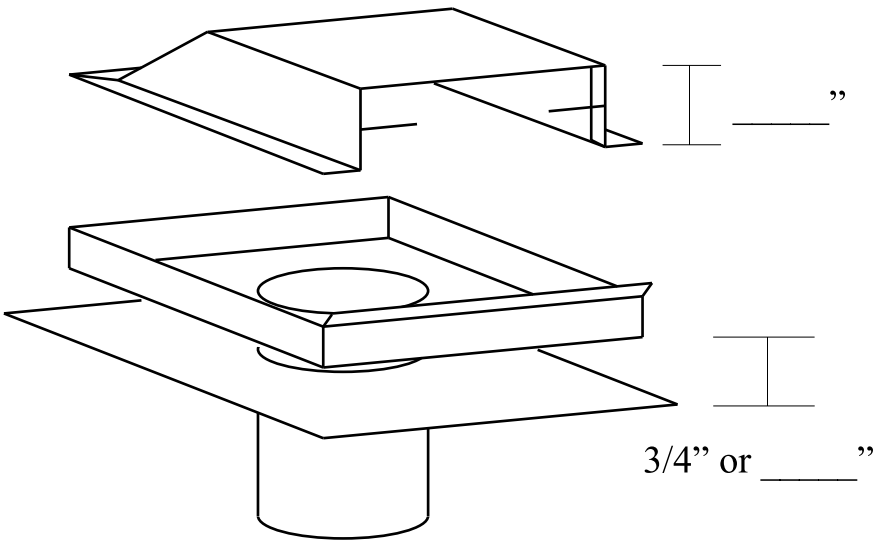
Item # : 63A	Mach 4 Custom
---------------------	----------------------

CUSTOM:

1/4" Screen
 Damper

Base = _____" x _____"

Pipe Diameter x Length
 _____" Pipe x _____"



Special Instructions	DELIVER _____ PICKUP _____ INSTALL _____
----------------------	--



The Professionals Choice

CUSTOMER ORDER FORM - Residential roof vent with louver

From Victoria Phone: 250-652-5523 From Victoria Fax: 250-652-5169
From Duncan Phone: 250-929-1110 From Duncan Fax: 250-929-1111

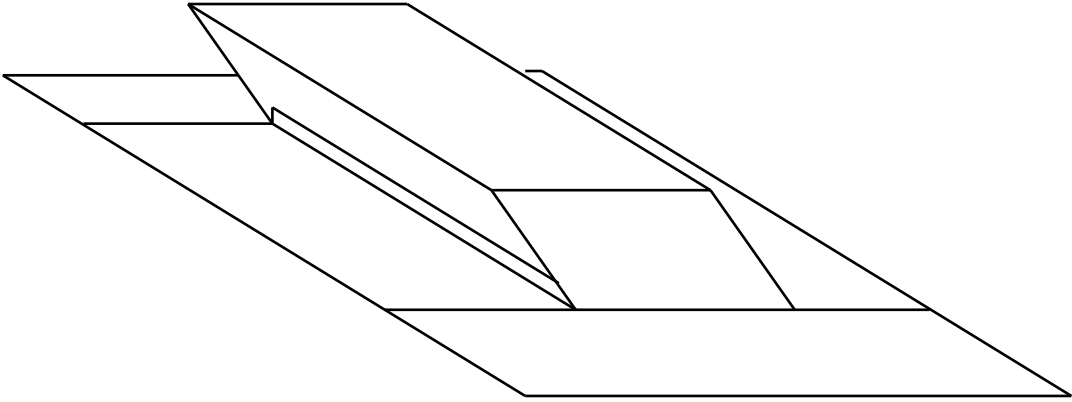
FROM: _____		Email: _____	
PURCHASE ORDER #: _____		ATTN: _____	
CUST. / JOB NAME: _____		ORDERED BY: _____	
ORDER DATE: _____		SENDER PHONE #: _____	
DATE REQUIRED: _____		SENDER FAX #: _____	

MATERIAL / COLOR: _____	GAUGE: <u>30</u>	QUANTITY: _____
--------------------------------	-------------------------	------------------------

Item # : 36	Residential roof vent with louver
--------------------	--

STANDARD SIZE ONLY: 13" x 5"

- Brown
- Black
- White
- Charcoal
- Copper



Special Instructions	DELIVER _____ PICKUP _____ INSTALL _____
-----------------------------	---



The Professionals Choice

CUSTOMER ORDER FORM - Exhaust Duct Gasket

From Victoria Phone: 250-652-5523 From Victoria Fax: 250-652-5169
From Duncan Phone: 250-929-1110 From Duncan Fax: 250-929-1111

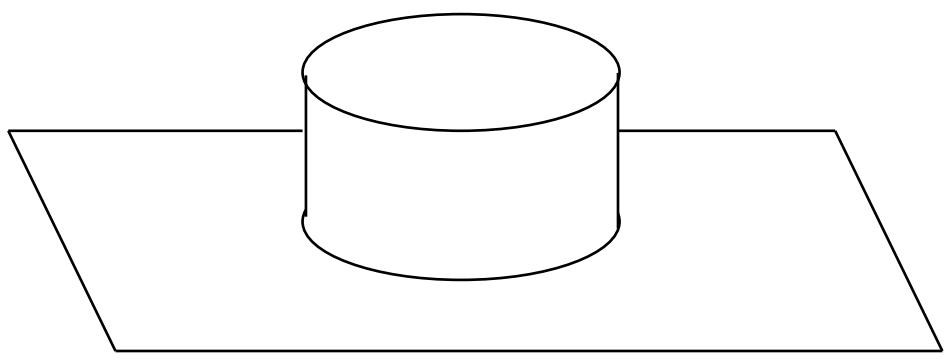
FROM: _____		Email: _____
PURCHASE ORDER #: _____	ATTN: _____	
CUST. / JOB NAME: _____	ORDERED BY: _____	
ORDER DATE: _____	SENDER PHONE #: _____	
DATE REQUIRED: _____	SENDER FAX #: _____	

MATERIAL / COLOR: _____ Galvanized _____	GAUGE: _____ 30 _____	QUANTITY: _____
---	------------------------------	------------------------

Item # : 37	Description: Exhaust Duct Gasket for use with residential exhaust roof vents
--------------------	--

STANDARD SIZES:

- 3" Pipe
- 4" Pipe
- 5" Pipe
- 6" Pipe



Indicate if to be used with Copper Yes No

Special Instructions _____ DELIVER _____ PICKUP _____ INSTALL _____



The Professionals Choice

CUSTOMER ORDER FORM - Square Louvered Vent

From Victoria Phone: 250-652-5523 From Victoria Fax: 250-652-5169
 From Duncan Phone: 250-929-1110 From Duncan Fax: 250-929-1111

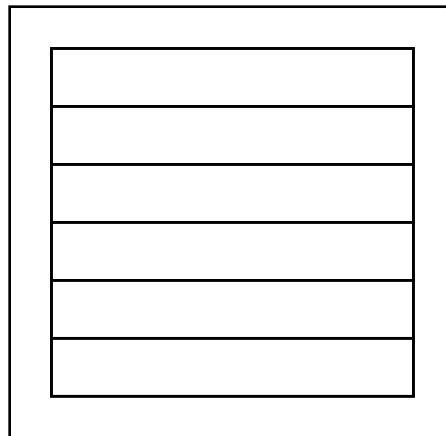
FROM: _____	Email: _____
PURCHASE ORDER #: _____	ATTN: _____
CUST. / JOB NAME: _____	ORDERED BY: _____
ORDER DATE: _____	SENDER PHONE #: _____
DATE REQUIRED: _____	SENDER FAX #: _____

<i>MATERIAL / COLOR:</i> _____	<i>GAUGE:</i> _____	<i>QUANTITY:</i> _____
--------------------------------	---------------------	------------------------

Item # : 38	Square Louvered Vent
--------------------	-----------------------------

CUSTOM SIZES ONLY

_____ ' Square (Rough opening size)



Special Instructions	DELIVER _____ PICKUP _____ INSTALL _____
----------------------	--



CUSTOMER ORDER FORM - Rectangle Louvered Vent

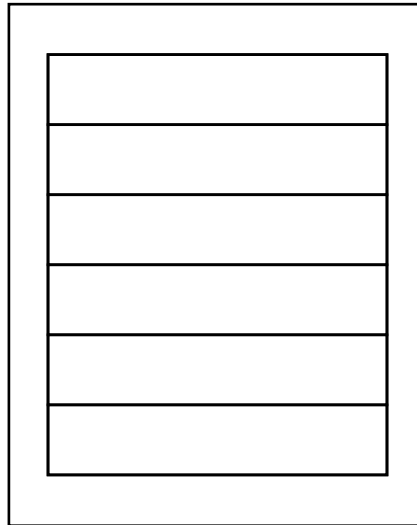
From Victoria Phone: 250-652-5523 From Victoria Fax: 250-652-5169
 From Duncan Phone: 250-929-1110 From Duncan Fax: 250-929-1111

FROM: _____	Email: _____
PURCHASE ORDER #: _____	ATTN: _____
CUST. / JOB NAME: _____	ORDERED BY: _____
ORDER DATE: _____	SENDER PHONE #: _____
DATE REQUIRED: _____	SENDER FAX #: _____

<i>MATERIAL / COLOR:</i> _____	<i>GAUGE:</i> _____	<i>QUANTITY:</i> _____
--------------------------------	---------------------	------------------------

Item # : 39	Rectangle Louvered Vent
--------------------	--------------------------------

CUSTOM SIZES ONLY
 (Rough opening size)



_____”

_____”

Special Instructions	DELIVER _____ PICKUP _____ INSTALL _____
----------------------	--



The Professionals Choice

CUSTOMER ORDER FORM - Soffit Vent

From Victoria Phone: 250-652-5523 From Victoria Fax: 250-652-5169
From Duncan Phone: 250-929-1110 From Duncan Fax: 250-929-1111

FROM: _____		Email: _____
PURCHASE ORDER #: _____	ATTN: _____	
CUST. / JOB NAME: _____	ORDERED BY: _____	
ORDER DATE: _____	SENDER PHONE #: _____	
DATE REQUIRED: _____	SENDER FAX #: _____	

MATERIAL / COLOR: _____	GAUGE: _____	QUANTITY: _____
--------------------------------	---------------------	------------------------

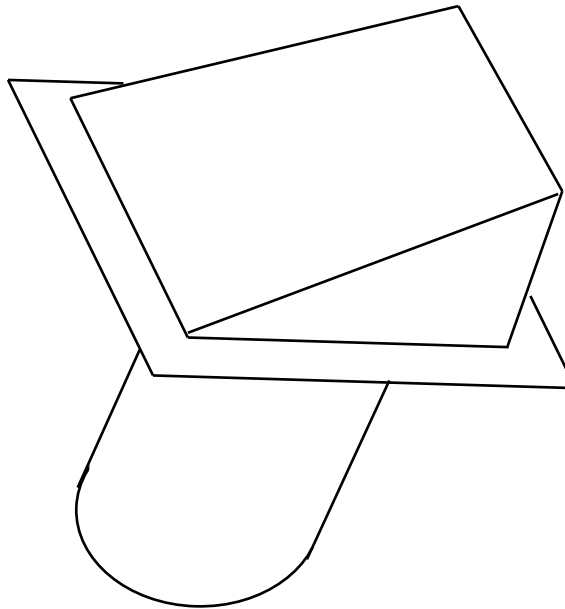
Item # : 40A	Description: Soffit Vent
---------------------	---------------------------------

Available As:

- 4 inch
- 6 inch
- 8 inch

Pipe Size:

- 2 inch
- 3 inch
- 4 inch



Special Instructions	DELIVER _____ PICKUP _____ INSTALL _____
-----------------------------	---



The Professionals Choice

LOW PROFILE SOFFIT EXHAUST VENT - SKU LPMEV with damper

From Victoria Phone: 250-652-5523 From Victoria Fax: 250-652-5169
 From Duncan Phone: 250-929-1110 From Duncan Fax: 250-929-1111

FROM: _____		Email: _____	
PURCHASE ORDER #: _____		ATTN: _____	
CUST. / JOB NAME: _____		ORDERED BY: _____	
ORDER DATE: _____		SENDER PHONE #: _____	
DATE REQUIRED: _____		SENDER FAX #: _____	

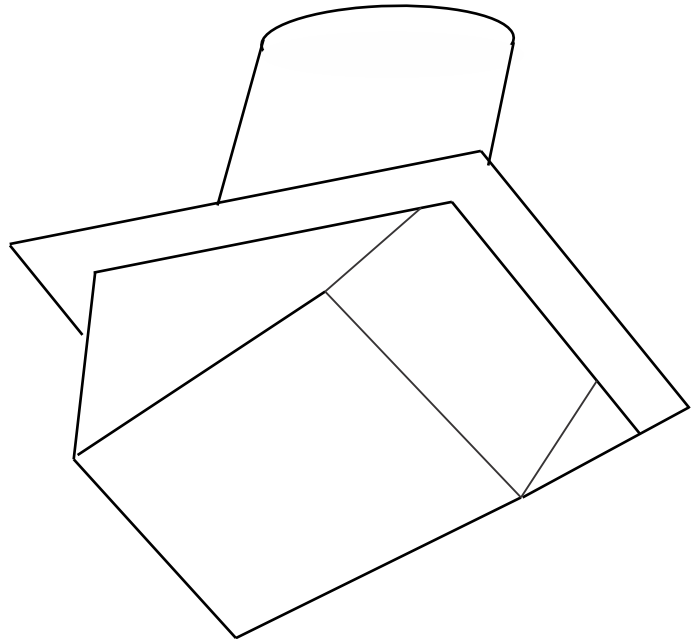
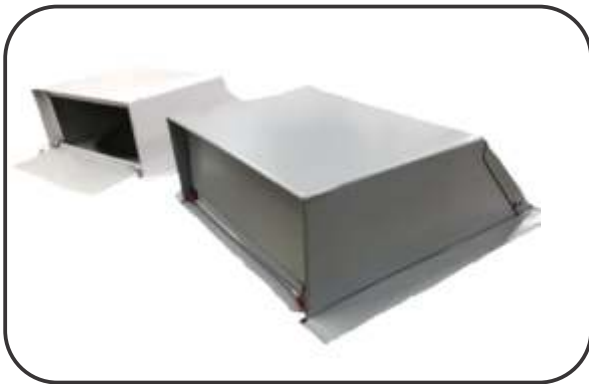
<i>MATERIAL / COLOR:</i> _____	<i>GAUGE:</i> _____	<i>QUANTITY:</i> _____
--------------------------------	---------------------	------------------------

LOW PROFILE SOFFIT EXHAUST VENT - SKU LPMEV with damper

Available in a broad range of colours or stainless steel / aluminum / satin coat / copper

Basic Colours

- | | |
|--|--|
| <input type="checkbox"/> 4 inch | <input type="checkbox"/> Black |
| <input type="checkbox"/> 5 inch | <input type="checkbox"/> Brown |
| <input type="checkbox"/> 6 inch | <input type="checkbox"/> Charcoal Grey |
| <input type="checkbox"/> 8 inch | <input type="checkbox"/> Galvanized |
| <input type="checkbox"/> OPTIONAL SCREEN | <input type="checkbox"/> _____ |
- Specify Custom Colour



Special Instructions _____ DELIVER _____ PICKUP _____ INSTALL _____



The Professionals Choice

CUSTOMER ORDER FORM - HydroPonic Vent

From Victoria Phone: 250-652-5523 From Victoria Fax: 250-652-5169
From Duncan Phone: 250-929-1110 From Duncan Fax: 250-929-1111

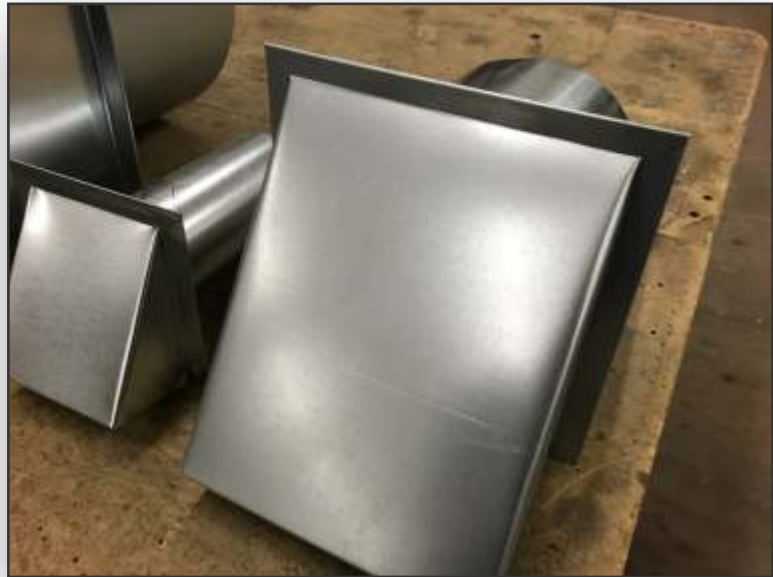
FROM: _____		Email: _____
PURCHASE ORDER #: _____	ATTN: _____	
CUST. / JOB NAME: _____	ORDERED BY: _____	
ORDER DATE: _____	SENDER PHONE #: _____	
DATE REQUIRED: _____	SENDER FAX #: _____	

MATERIAL / COLOR: _____	GAUGE: _____	QUANTITY: _____
--------------------------------	---------------------	------------------------

Item # : 40A	HydroPonic Intake Vent
---------------------	-------------------------------

Available As:

- 4" intake
- 6" intake
- 8" intake
- 10" intake
- 12" intake
- 14" intake



Includes steel mesh bug screen

Special Instructions	DELIVER _____ PICKUP _____ INSTALL _____
-----------------------------	---



The Professionals Choice

CUSTOMER ORDER FORM - HydroPonic Vent

From Victoria Phone: 250-652-5523 From Victoria Fax: 250-652-5169
From Duncan Phone: 250-929-1110 From Duncan Fax: 250-929-1111

FROM: _____		Email: _____
PURCHASE ORDER #: _____	ATTN: _____	
CUST. / JOB NAME: _____	ORDERED BY: _____	
ORDER DATE: _____	SENDER PHONE #: _____	
DATE REQUIRED: _____	SENDER FAX #: _____	

MATERIAL / COLOR: _____	GAUGE: _____	QUANTITY: _____
--------------------------------	---------------------	------------------------

Item # : 40A	HydroPonic Exhaust Vent
---------------------	--------------------------------

Available As:

Add optional front steel mesh screen

- 4" exhaust
- 6" exhaust
- 8" exhaust
- 10" exhaust
- 12" exhaust
- 14" exhaust



Includes damper and screen

Special Instructions _____	DELIVER _____	PICKUP _____	INSTALL _____
----------------------------	---------------	--------------	---------------



The Professionals Choice

CUSTOMER ORDER FORM - Louvered Vent

From Victoria Phone: 250-652-5523 From Victoria Fax: 250-652-5169
 From Duncan Phone: 250-929-1110 From Duncan Fax: 250-929-1111

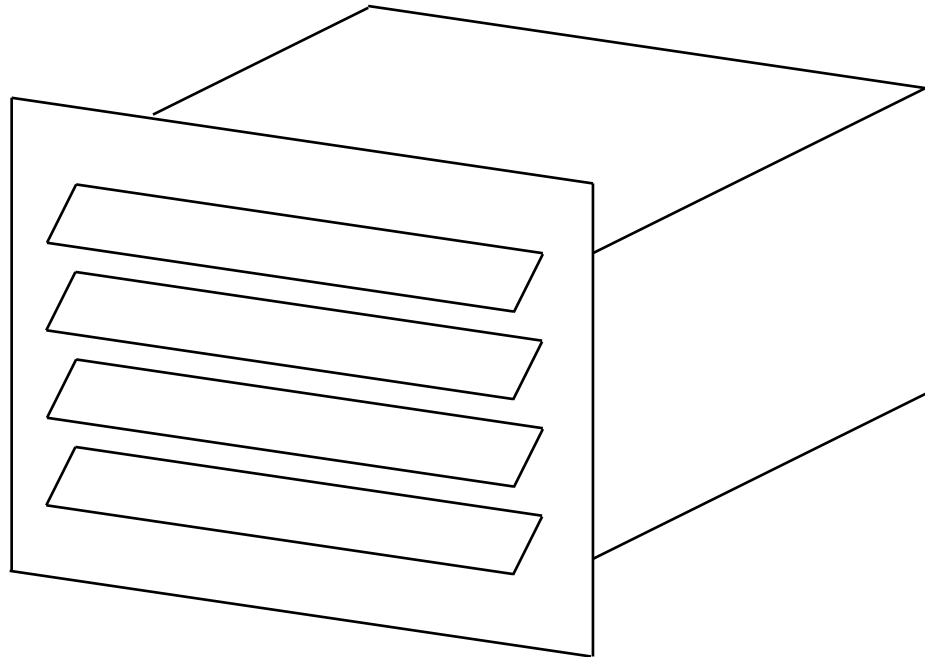
FROM: _____		Email: _____
PURCHASE ORDER #: _____	ATTN: _____	
CUST. / JOB NAME: _____	ORDERED BY: _____	
ORDER DATE: _____	SENDER PHONE #: _____	
DATE REQUIRED: _____	SENDER FAX #: _____	

MATERIAL / COLOR: _____	GAUGE: _____	QUANTITY: _____
--------------------------------	---------------------	------------------------

Item # : 40	Description: Louvered Vent
--------------------	-----------------------------------

STANDARD SIZES ONLY:

5" x 5"



Special Instructions	DELIVER _____ PICKUP _____ INSTALL _____
-----------------------------	---



The Professionals Choice

South Island Call: 250-652-5523
South Island Fax: 250-652-5169

Cowichan Valley Call: 250-929-1110
Cowichan Valley Fax: 250-929-1111

CUPOLA (HIP STYLE)

FROM: _____		Email: _____	
PURCHASE ORDER #: _____		ATTN: _____	
CUST. / JOB NAME: _____		ORDERED BY: _____	
ORDER DATE: _____		SENDER PHONE #: _____	
DATE REQUIRED: _____		SENDER FAX #: _____	

MATERIAL / COLOR: _____	GAUGE: _____	QUANTITY: _____
-------------------------	--------------	-----------------

Item # : 54	Description: Cupola (Hip Style)
--------------------	--

CUSTOM SIZES ONLY

This is an example of one style only.
Cupolas are custom made to your exact specifications and design needs.

Please contact us for ordering.



Office Use Only		DELIVER _____	PICKUP _____	INSTALL _____
Gauge Used: _____	Colour: _____	Stretch Out: _____	Shop Time: _____	



The Professionals Choice

South Island Call: 250-652-5523
South Island Fax: 250-652-5169

Cowichan Valley Call: 250-929-1110
Cowichan Valley Fax: 250-929-1111

CUPOLA CONCAVE HIP STYLE

FROM: _____		Email: _____
PURCHASE ORDER #: _____	ATTN: _____	
CUST. / JOB NAME: _____	ORDERED BY: _____	
ORDER DATE: _____	SENDER PHONE #: _____	
DATE REQUIRED: _____	SENDER FAX #: _____	

MATERIAL / COLOR: _____	GAUGE: _____	QUANTITY: _____
--------------------------------	---------------------	------------------------

Item # : 55	CUPOLA CONCAVE HIP STYLE
--------------------	---------------------------------

CUSTOM SIZES ONLY

This is an example of one style only.
Cupolas are custom made to your exact specifications and design needs.

Please contact us for ordering.



Office Use Only	DELIVER _____	PICKUP _____	INSTALL _____
Gauge Used: _____	Colour: _____	Stretch Out: _____	Shop Time: _____



The Professionals Choice

South Island Call: 250-652-5523
South Island Fax: 250-652-5169

Cowichan Valley Call: 250-929-1110
Cowichan Valley Fax: 250-929-1111

FINIAL STYLE 1

FROM: _____		Email: _____	
PURCHASE ORDER #: _____		ATTN: _____	
CUST. / JOB NAME: _____		ORDERED BY: _____	
ORDER DATE: _____		SENDER PHONE #: _____	
DATE REQUIRED: _____		SENDER FAX #: _____	

MATERIAL / COLOR: _____	GAUGE: _____	QUANTITY: _____
-------------------------	--------------	-----------------

Item # : 56	FINIAL STYLE 1
--------------------	-----------------------

CUSTOM SIZES ONLY

Best in Copper!

This is an example of one style only.
Finials are custom made to your exact specifications and design needs.

Please contact us for ordering.



Office Use Only	DELIVER _____	PICKUP _____	INSTALL _____
Gauge Used: _____	Colour: _____	Stretch Out: _____	Shop Time: _____



The Professionals Choice

South Island Call: 250-652-5523
 South Island Fax: 250-652-5169

Cowichan Valley Call: 250-929-1110
 Cowichan Valley Fax: 250-929-1111

FINIAL STYLE 2

FROM: _____		Email: _____
PURCHASE ORDER #: _____	ATTN: _____	
CUST. / JOB NAME: _____	ORDERED BY: _____	
ORDER DATE: _____	SENDER PHONE #: _____	
DATE REQUIRED: _____	SENDER FAX #: _____	

<i>MATERIAL / COLOR:</i> _____	<i>GAUGE:</i> _____	<i>QUANTITY:</i> _____
--------------------------------	---------------------	------------------------

Item # : 57	Description: Finial #2
--------------------	-------------------------------

CUSTOM SIZES ONLY

This is an example of one style only.
 Finials are custom made to your exact specifications and design needs.

Please contact us for ordering.



Office Use Only	DELIVER _____ PICKUP _____ INSTALL _____
Gauge Used: _____ Colour: _____ Stretch Out: _____ Shop Time: _____	